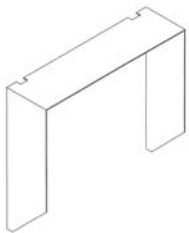
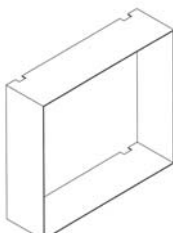
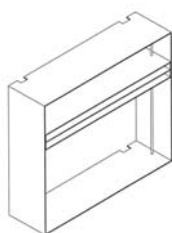
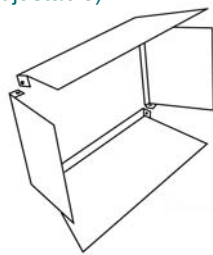
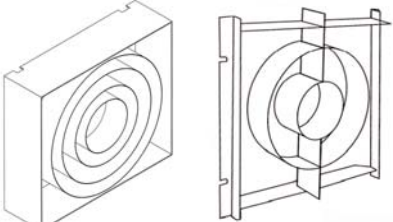
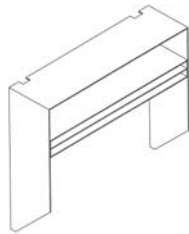
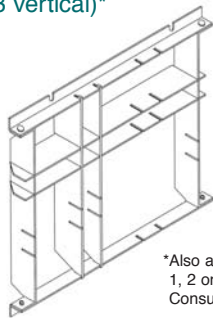
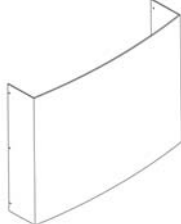
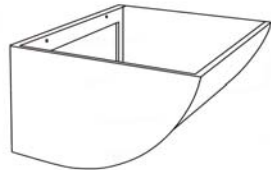
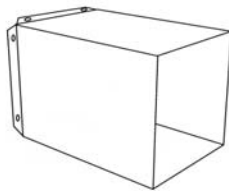
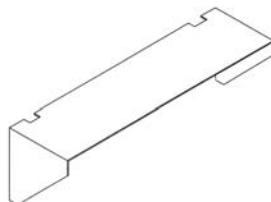


Shield availability varies by fixture series. Please refer to **How To Order** section of product sheets for availability. Consult factory for information on House Side Shield (HS).

<p>3S – 3-Sided Shield</p> 	<p>4S – 4-Sided Shield</p> 	<p>AS – Adjustable Louvered Shield</p> 
<p>BD – Barn Doors (Adjustable)</p> 	<p>CR – Concentric Ring</p>  <p>EXTERNAL INTERNAL</p>	<p>LS – Fixed Louver Shield</p> 
<p>IEC – Internal Egg-Crate Louvers (4 vertical, 4 horizontal)</p> <p>IHL – Internal Horizontal Louvers (3 horizontal)*</p> <p>IL – Internal Louver (1 horizontal)</p> <p>IVL – Internal Vertical Louvers (3 vertical)*</p>  <p>*Also available with 1, 2 or 4 louvers. Consult factory.</p>	<p>XS – Lexan Shield</p> 	<p>SC – Sconce</p> 
	<p>SN – Snout</p> 	<p>TS – Top Shield</p> 

Construction Features

Material: Shields constructed of heavy gauge, die-formed, 5052 aluminum, with less than 1% copper content. Lexan Shield (XS) constructed of impact and UV resistant 1/8" clear polycarbonate.

Mounting: All shields are factory-installed onto the fixture's door assembly.

Hardware: All external hardware is stainless steel, aluminum or hot dip galvanized.

Finish: Polyester powder coated finish, fired at high temperatures to produce a durable weatherproof coating. All shields finished in matte black unless noted otherwise in **How To Order** section of product sheet. Lexan Shield (XS) is clear.