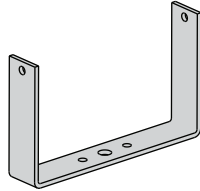


Note: Mounting options vary by fixture series. Please refer to **How To Order** section of product sheets for availability. Consult the factory for information on Davit Arm (DA) and End-mount Yoke (EY).

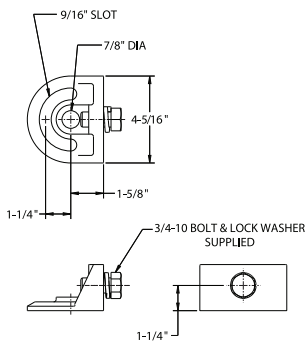
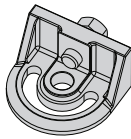
YOKE MOUNT OPTIONS

YM – Yoke Mount only

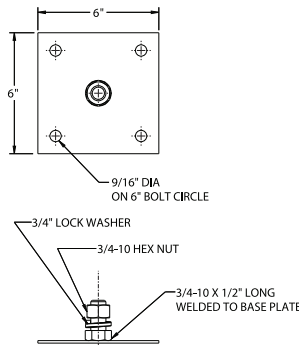
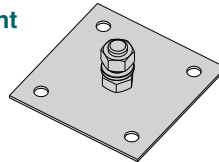


Note: Yoke Mount dimensions vary by fixture. Please refer to drawings on page 1 of product sheets.

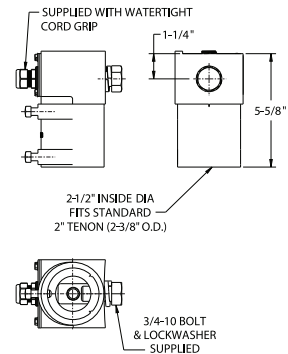
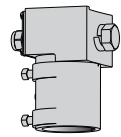
YHS – Yoke Mount (YM) with Horizontal Sector
(can be used with YWB)



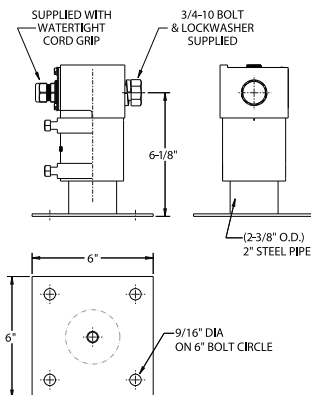
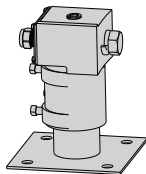
YMS – Yoke Mount (YM) with Mounting Stud



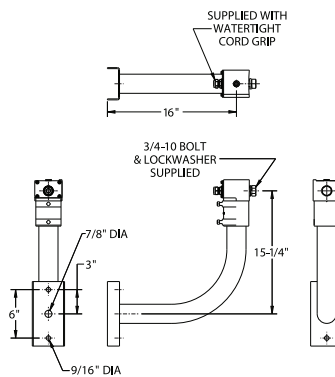
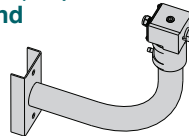
YSF – Yoke Mount (YM) with Slipfitter
(allows 360° rotation)



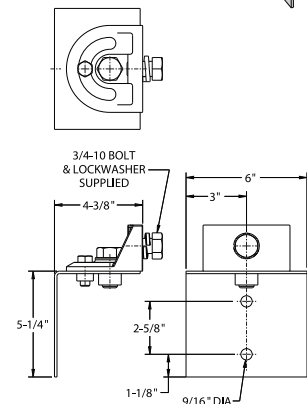
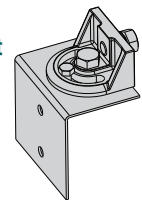
YSMP – Yoke Mount (YM) with Slipfitter and Mounting Plate



YSWA – Yoke Mount (YM) with Slipfitter and Wall Pole Mounting Arm



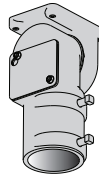
YWB – Yoke Mount (YM) with Wall Bracket



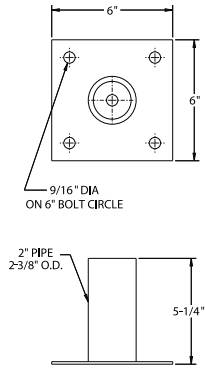
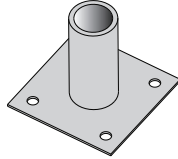
KNUCKLE SLIPFITTER OPTIONS ▶

KNUCKLE SLIPFITTER OPTIONS

KSF – Knuckle Slipfitter only
(UL listed wiring compartment;
360° maximum rotation
not available for Series 3000,
3100, 7000, 7000B, 9000)



KMP – Knuckle Slipfitter (KSF) with Mounting Plate



KWA – Knuckle Slipfitter (KSF) with Wall Pole Mounting Arm

