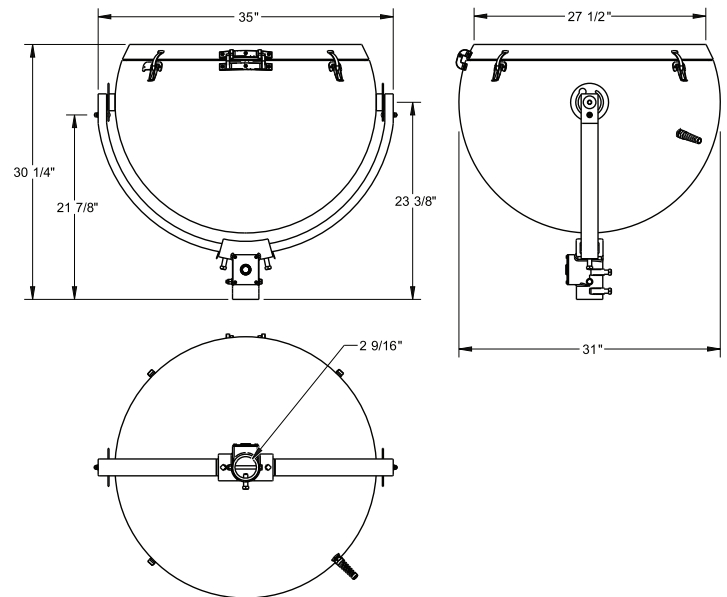




Series 9700

400-1000 Watt Pulse Start Metal Halide
1000 Watt Metal Halide
400-1000 Watt High Pressure Sodium

The Series 9700 with integral ballast enables you to create a uniform aesthetic appearance regardless of fixture tilt and orientation. With a wide variety of optical packages to choose from, the 9700 can be used throughout a project for a broad range of architectural applications.



Construction Features

Housing: One piece 31" diameter, spherical housing constructed of high purity 12 gauge aluminum.

Lens/Door Assembly: Lens and door frame assembly constructed of high purity 12 gauge aluminum with tempered thermal and shock resistant glass, sealed to housing with high temperature silicone. Door frame is sealed to housing with a single piece high temperature silicone ring gasket with no compression set feature. Door frame is attached and secured with high tensile strength cast aluminum hinge and four cam fasteners, which operate without the use of tools for easy relamping.

Reflector: Rigid 4-point location frame to secure horizontal, vertical or axial spot reflector systems. Reflectors to be made of high grade electro-polished and anodized Alzak aluminum. The standard lamp holder shall be firmly mounted with heavy gauge socket bracket to insure proper focal point to reflector system. The standard lamp holder shall be mogul base, 5kv rated socket with stainless steel lamp shell and grips. Optical assembly features polarized connector for connection to ballast power pack assembly.

Electrical Power Tray: Integral mounted and pre-wired CWA core and coil ballast tray assembly. Available in 120, 208, 240, 277 or 480 volt 60 Hz, and Multi-Tap up to 480 volt. Supplied pre-wired with polarized line and socket ends for

ease of field replacement of the ballast assembly. Unit supplied with four feet of 16/3 STW cord. Cord is secured to enclosure with a watertight strain relief. Unless noted, all multi-tap ballasts wired to highest rated voltage.

Mounting: Heavy gauge die-formed gimbal yoke with Almag 35 cast aluminum alloy slipfitter with internal wiring compartment and watertight cover. Fitter to have two point and through bolt mount, all high grade stainless steel, for standard 2 inch pole tenon mounting (2 3/8" OD) by others. Gimbal assembly feature allows for unit aiming and tilt to 340° along the vertical axis and 160° along the horizontal axis, the center point remaining in a fixed position with locking bolts each side.

Hardware: All external hardware is stainless steel, aluminum or hot dip galvanized.

Finish: Polyester TGIL textured powder coated finish, fired at high temperatures to produce a durable weatherproof coating. Standard colors include black, bronze and silver. Custom colors (RAL) and matching is also available. Please consult the factory for availability.

UL Listed: Suitable for wet locations. UL1598

Series 9700

400-1000 Watt Pulse Start Metal Halide / 1000 Watt Metal Halide
400-1000 Watt High Pressure Sodium

HOW TO ORDER

EXAMPLE 9700-HM-400PS-480V-00-YSF-PC2,PRB-BZE

1 Series	2 Lamp Position/Optics	3 Wattage/Lamp Type	4 Voltage	5 Shields	6 Mounting	7 Accessories	8 Finish
9700							

Type in selection(s)
Separate multiple options with commas

1 Series

9700 Integral Ballast

2 Lamp Position/Optics

Refer to SPECIFICATIONS on next page

- XS** Axial/Spot
- HM** Horizontal/Medium
- HFM** Horizontal/Flood/Medium
- HN** Horizontal/Narrow
- HS** Horizontal/Spot
- HFN** Horizontal/Flood/Narrow
- VLW** Vertical/Long/Wide
- VM** Vertical/Medium
- VN** Vertical/Narrow
- VTM** Vertical/Tall/Medium
- VTN** Vertical/Tall/Narrow
- VTW** Vertical/Tall/Wide
- VW** Vertical/Wide

3 Wattage/Lamp Type

All lamps are clear mogul base, by others. Several lamp manufacturers may also offer compatible lamps.

- Pulse Start Metal Halide
- 400PS** (MS400W/H75/PS/ED28)**- Venture
 - 400PS1** (M400/PS/U/BT28) - Sylvania
 - 400PS2** (M400/PS/U/BT37) - Sylvania
 - 450PS** (MS450W/V/BT37)*- Venture
 - 1000PS** (M1000/PS/U/BT37) - Sylvania
- Metal Halide
- 1000MH** (MH1000/U/BT56)
- High Pressure Sodium
- 400HPS** (LU400)
 - 1000HPS** (LU1000)

*Only for vertical lamp position.
(VLM, VN, VTM, VTN, VTW, VW)
**Only for horizontal lamp position.
(HM, HFM, HN, HS, HFN)

4 Voltage

- 120V
- 208V
- 240V
- 277V
- 480V
- MT(120-277V) Multi-Tap

5 Shields*

- 00** No shield required
- 3S** 3-Sided Shield
- 4S** 4-Sided Shield
- CR** Concentric Ring (internal)
- LXS** Lexan Shield
- TS** Top Shield

*Standard finish black

6 Mounting

- YSF** Yoke Mount with Slipfitter
- YSMP** YM with Slipfitter and Mounting Plate
- YSWA** YM with Wall Pole Mounting Arm

7 Accessories

Separate codes for accessories with a comma

- 00** No Accessories Required
- FD** Double Fusing
- FS** Single Fusing
- CD** Extra Cord (specify total length____ft)
- PC1** Photocell 120-277V
- PC2** Photocell 480V
- PRB** Photocell Receptacle installed on fixture

8 Finish

- BLK** Black
 - BZE** Bronze
 - SLV** Silver
- For Custom Color, contact factory

Notes

PROJECT	APPROVAL/ DATE
	FIXTURE TYPE

Series 9700

400-1000 Watt Pulse Start Metal Halide / 1000 Watt Metal Halide
400-1000 Watt High Pressure Sodium

SPECIFICATIONS

See abslighting.com for photometric files

Lamp Position/ Optics	Wattage/ Lamp Type	IES Beam Spread @50%	NEMA	Max. Candlepower	EPA	Weight
Pulse Start Metal Halide						
▲ HM	400PS2	57 X 5	5H X 1V	106,306	5.5 sq. ft	77 lbs.
HN	400PS2	35 X 6	4H X 1V	141,103	5.5 sq. ft	77 lbs.
▲ HS	400PS2	15 X 5	2H X 1V	285,431	5.5 sq. ft	77 lbs.
▲ XS	400PS2	2 X 2	0H X 0V	928,494	5.5 sq. ft	77 lbs.
VN	400PS2	22 X 22	3H X 3V	121,192	5.5 sq. ft	77 lbs.
VTM	400PS2	6 X 35	1H X 4V	141,635	5.5 sq. ft	77 lbs.
VTN	400PS2	5 X 55	1H X 5V	135,548	5.5 sq. ft	77 lbs.
VN	450PS	22 X 22	3H X 3V	186,625	5.5 sq. ft	77 lbs.
VTM	450PS	6 X 35	1H X 4V	214,597	5.5 sq. ft	77 lbs.
VTN	450PS	5 X 55	1H X 5V	205,375	5.5 sq. ft	77 lbs.
HFM	1000PS	85 X 10	7H X 5V	105,300	5.5 sq. ft	83 lbs.
HFN	1000PS	76 X 7	7H X 4V	139,126	5.5 sq. ft	83 lbs.
HM	1000PS	52 X 7	5H X 1V	311,870	5.5 sq. ft	83 lbs.
HN	1000PS	35 X 7	4H X 1V	425,545	5.5 sq. ft	83 lbs.
HS	1000PS	15 X 5	2H X 1V	1,015,358	5.5 sq. ft	83 lbs.
VLW	1000PS	69 X 39	7H X 5V	98,736	5.5 sq. ft	83 lbs.
VM	1000PS	44 X 28	4H X 4V	150,268	5.5 sq. ft	83 lbs.
VN	1000PS	24 X 32	3H X 4V	227,100	5.5 sq. ft	83 lbs.
VTM	1000PS	6 X 35	1H X 4V	478,981	5.5 sq. ft	83 lbs.
VTN	1000PS	5 X 55	1H X 5V	452,482	5.5 sq. ft	83 lbs.
VW	1000PS	32 X 19	6H X 3V	167,130	5.5 sq. ft	83 lbs.
XS	1000PS	6 X 5	1H X 1V	1,608,816	5.5 sq. ft	83 lbs.

Metal Halide

HFM	1000MH	85 X 10	7H X 5V	105,300	5.5 sq. ft	83 lbs.
HFN	1000MH	76 X 7	7H X 4V	139,126	5.5 sq. ft	83 lbs.
HM	1000MH	52 X 7	5H X 1V	311,870	5.5 sq. ft	83 lbs.
HN	1000MH	35 X 7	4H X 1V	425,545	5.5 sq. ft	83 lbs.
HS	1000MH	15 X 5	2H X 1V	1,015,358	5.5 sq. ft	83 lbs.
VLW	1000MH	69 X 39	7H X 5V	98,736	5.5 sq. ft	83 lbs.
VM	1000MH	44 X 28	4H X 4V	150,268	5.5 sq. ft	83 lbs.
VN	1000MH	24 X 32	3H X 4V	227,100	5.5 sq. ft	83 lbs.
VTM	1000MH	6 X 35	1H X 4V	478,981	5.5 sq. ft	83 lbs.
VTN	1000MH	5 X 55	1H X 5V	452,482	5.5 sq. ft	83 lbs.
VW	1000MH	32 X 19	6H X 3V	167,130	5.5 sq. ft	83 lbs.
XS	1000MH	6 X 5	1H X 1V	1,608,816	5.5 sq. ft	83 lbs.

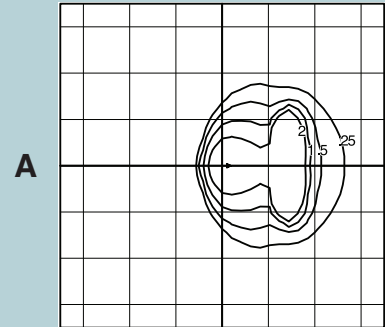
High Pressure Sodium

HM	1000HPS	69 X 8	6H X 4V	197,960	5.5 sq. ft.	90 lbs.
HN	1000HPS	48 X 6	4H X 1V	377,800	5.5 sq. ft.	90 lbs.
VLW	1000HPIHL	52 X 9	5H X 2V	203,018	5.5 sq. ft.	90 lbs.
VTM	1000HPS	22 X 70	6H X 6V	118,133	5.5 sq. ft.	90 lbs.
VTN	1000HPS	44 X 52	6H X 5V	73,000	5.5 sq. ft.	90 lbs.
VTW	1000HPS	60 X 81	7H X 6V	59,115	5.5 sq. ft.	90 lbs.

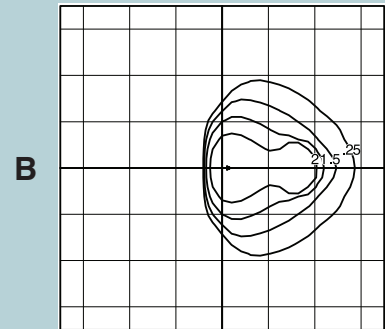
▲ = Represented by isoline at right

FOOTCANDLE (fc1) ISOLINES

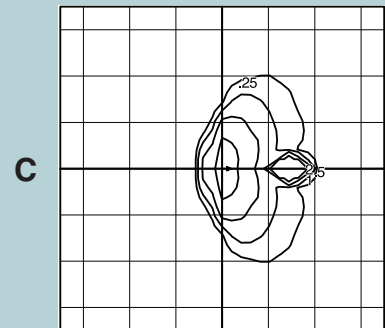
1.0 If, 56° tilt, grid increment = mtg. ht.



9700-HM-400PS2



9700-HS-400PS2



9700-XS-400PS2

CONVERSION FACTORS (CF)

$$fc2 = fc1 \times CF$$

fc2 is footcandle for applicable wattage and mounting height

For isolines A, B and C

	FIXTURE MTG. HT. (in feet)			
	25	30	40	50
400PS2	1.44	1.00	0.56	0.36
450PS	2.32	1.61	0.91	0.58
1000PS	5.01	3.48	1.96	1.25
1000MH	5.02	3.48	1.96	1.25