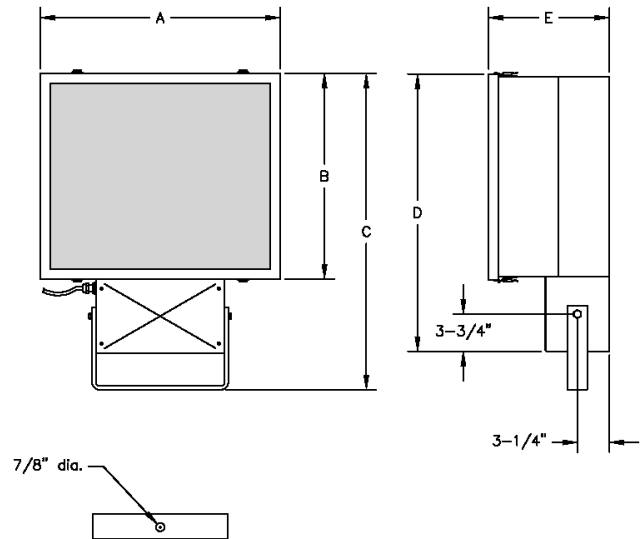




Series 9000

400-1000 Watt Pulse Start Metal Halide
 1000-1500 Watt Metal Halide
 1000 Watt High Pressure Sodium

The Series 9000 is our largest floodlight. Available with segmented or spun reflector systems, the 9000 offers a wide range of optical packages combining maximum output with precision control. It is ideal for sports facilities, facades, bridges, monuments and area lighting.



	A	B	C	D	E
XS Optics	26-3/8"	26-3/8"	36-7/8"	32-7/8"	18"
All Other Beams	25"	22"	32-1/2"	28-1/2"	13"

Construction Features

Housing: Constructed of heavy gauge, die-formed, 5052 aluminum, with less than 1% copper content. Seams are continuously welded and unitized.

Lens/Door Assembly: Constructed of heavy gauge, die-formed, 5052 aluminum, with less than 1% copper content. Mitered and welded frame secures the tempered thermal and shock resistant borosilicate glass, sealed to the housing with high temperature, medium density, closed cell silicone gasket. Door frame attached and secured by stainless steel cam fasteners, which operate without the use of tools, for ease of relamping.

Reflector: Electropolished and anodized high purity aluminum, coilzak or equivalent. Spring loading of the reflector assures precise beam control with allowances for expansion/contraction cycles.

Ballast Enclosure: Constructed of heavy gauge, die-formed, 5052 aluminum, with less than 1% copper content. Seams are continuously welded and unitized. Ballast secured to a removable ballast tray for ease in service.

Ballast: Constant Wattage Autotransformer (CWA) Core & Coil ballast. Available in 120, 208, 240, 277 or 480 volt, and Multi-Tap (120/208/240/277), prewired to three feet of 16/3 STW cord. Cord is secured to enclosure with a watertight strain relief.

Mounting: Heavy gauge, die-formed hot rolled steel yoke. Available with optional Almag cast aluminum alloy slipfitter (SF), for standard 2 inch pole tenon mounting (2 3/8" OD) by others.

Hardware: All external hardware is stainless steel, aluminum or hot dip galvanized.

Finish: Polyester powder coated finish, fired at high temperatures to produce a durable weatherproof coating. Standard colors include black, bronze and silver. Custom color matching is also available. Please consult the factory for availability.

UL Listed: Suitable for wet locations. UL1598

Series 9000

400-1000 Watt Pulse Start Metal Halide / 1000-1500 Watt Metal Halide
1000 Watt High Pressure Sodium

HOW TO ORDER

EXAMPLE 9000-VN-450PS-277V-TS-SF-CH-BLK

① Series	② Lamp Position/Optics	③ Wattage/Lamp Type	④ Voltage	⑤ Shields	⑥ Mounting	⑦ Accessories	⑧ Finish
9000							

Type in selection(s)
Separate multiple options with commas

① Series

9000 Bottom-Mount Ballast (standard)
For Remote or Back-Mount Ballast, contact factory

② Lamp Position/Optics

Refer to SPECIFICATIONS on next page
XS Axial/Spot
HS Horizontal/Spot
HN Horizontal/Narrow
HM Horizontal/Medium
VLW Vertical/Long Wide
VN Vertical/Narrow
VM Vertical/Medium
VTN Vertical/Tall Narrow
VTM Vertical/Tall Medium
VTW Vertical/Tall Wide

③ Wattage/Lamp Type

All lamps are clear mogul base, by others. Several lamp manufacturers may also offer compatible lamps.
 Pulse Start Metal Halide
400PS (MS400W/H75/PS/ED28)**- Venture
400PS1 (M400/PS/U/BT28) - Sylvania
400PS2 (M400/PS/U/BT37) - Sylvania
450PS (MS450W/V/PS/BT37)*- Venture
1000PS (MS1000/PS/U/BT37) - Sylvania
 Metal Halide
1000MH (MH1000/U/BT56) - Sylvania
1500MH (MVR1500/U/SPORTS/BT56) - GE
 High Pressure Sodium
1000HPS (LU1000)

④ Voltage

120V
208V
240V
277V
480V
MT(120-277V) Multi-Tap

*Only for vertical lamp position. (VLW, VN, VM, VTN, VTM, VTW)
 **Only for horizontal lamp position. (HS, HN, HM)

⑤ Shields*

00 No shield required
3S 3-Sided Shield
4S 4-Sided Shield
AS Adjustable Louver Shield
CR Concentric Ring (external)**
LS Fixed Louver Shield (external)
LXS Lexan Shield
TS Top Shield
 *Standard finish black
 **Available with XS and VS optics

⑥ Mounting

YM Yoke Mount Only
YHS YM with Horizontal Sector
YMS YM with Mounting Stud
YSF YM with Slipfitter
YSMP YM with Slipfitter and Mounting Plate
YSWA YM with Wall Pole Mounting Arm
YWB YM with Wall Bracket

⑦ Accessories

Separate codes for accessories with a comma
00 No Accessories Required
CH Door Safety Chain
FD Double Fusing
FS Single Fusing
CD Extra Cord (specify total length____ft)
PRB1 120-277V Photocell installed on ballast box
PRB2 480V Photocell installed on ballast box

⑧ Finish

BLK Black
BZE Bronze
SLV Silver
 For Custom Color, contact factory

Notes

PROJECT	APPROVAL/ DATE
	FIXTURE TYPE

Series 9000

400-1000 Watt Pulse Start Metal Halide / 1000-1500 Watt Metal Halide
1000 Watt High Pressure Sodium

SPECIFICATIONS

See abslighting.com for photometric files

Lamp Position/ Optics	Wattage/ Lamp Type	IES Beam Spread @50%	NEMA	Max. Candlepower	EPA	Weight	Note
Pulse Start Metal Halide							
XS	400PS2	2 X 2	0H X 0V	928,484	4.5 sq. ft.	90 lbs.	
HN	400PS2	35 X 6	4H X 1V	14,102	4.5 sq. ft.	90 lbs.	
HM	400PS2	57 X 5	5H X 1V	106,306	4.5 sq. ft.	90 lbs.	
HS	400PS2	15 X 5	2H X 1V	285,431	4.5 sq. ft.	90 lbs.	
VN	400PS2	22 X 22	3H X 3V	132,209	4.5 sq. ft.	90 lbs.	
VTN	400PS2	5 X 55	1H X 5V	147,870	4.5 sq. ft.	90 lbs.	
VTM	400PS2	6 X 35	1H X 4V	154,510	4.5 sq. ft.	90 lbs.	
VN	450PS	22 X 22	3H X 3V	161,589	4.5 sq. ft.	90 lbs.	
VTN	450PS	5 X 55	1H X 5V	180,730	4.5 sq. ft.	90 lbs.	
VTM	450PS	6 X 35	1H X 4V	188,845	4.5 sq. ft.	90 lbs.	
HN	1000PS	35 X 7	4H X 1V	4 90,670	4.5 sq. ft.	90 lbs.	
HM	1000PS	52 X 5	5H X 1V	369,669	4.5 sq. ft.	90 lbs.	
HS	1000PS	15 X 5	2H X 1V	995,051	4.5 sq. ft.	90 lbs.	
VLW	1000PS	69 X 39	7H X 5V	98,736	4.5 sq. ft.	90 lbs.	
VN	1000PS	22 X 22	3H X 3V	403,973	4.5 sq. ft.	90 lbs.	
VTN	1000PS	5 X 55	1H X 5V	451,826	4.5 sq. ft.	90 lbs.	
VTM	1000PS	6 X 35	1H X 4V	472,115	4.5 sq. ft.	90 lbs.	
XS	1000PS	6 X 5	0H X 0V	3,228,726	4.5 sq. ft.	90 lbs.	

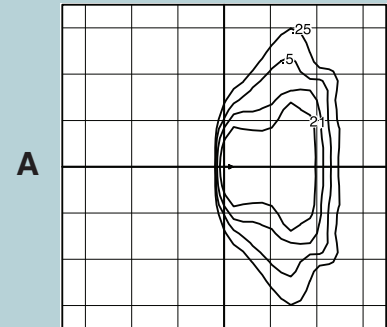
Metal Halide

HN	1000MH	35 X 7	4H X 1V	417,806	4.5 sq. ft.	90 lbs.	
HM	1000MH	52 X 7	5H X 1V	306,198	4.5 sq. ft.	90 lbs.	
HS	1000MH	15 X 5	2H X 1V	995,051	4.5 sq. ft.	90 lbs.	
▲ VLW	1000MH	69 X 39	7H X 5V	96,941	4.5 sq. ft.	90 lbs.	
VN	1000MH	24 X 32	3H X 4V	222,971	4.5 sq. ft.	90 lbs.	
VM	1000MH	44 X 28	4H X 4V	146,170	4.5 sq. ft.	90 lbs.	
▲ VW	1000MH	32 X 19	6H X 3V	162,572	4.5 sq. ft.	90 lbs.	
VTN	1000MH	55 X 6	1H X 5V	444,256	4.5 sq. ft.	90 lbs.	
VTM	1000MH	6 X 35	1H X 4V	470,273	4.5 sq. ft.	90 lbs.	
▲ XS	1000MH	6 X 5	1H X 1V	1,576,640	4.5 sq. ft.	90 lbs.	
HN	1500MH	40 X 7	4H X 1V	539,564	4.5 sq. ft.	90 lbs.	
HM	1500MH	60 X 7	5H X 1V	456,461	4.5 sq. ft.	93 lbs.	
HS	1500MH	15 X 5	2H X 1V	1,416,179	4.5 sq. ft.	90 lbs.	
VLW	1500MH	69 X 39	7H X 5V	152,764	4.5 sq. ft.	93 lbs.	
VN	1500MH	21 X 38	3H X 4V	234,773	4.5 sq. ft.	93 lbs.	
VM	1500MH	36 X 38	5H X 5V	164,989	4.5 sq. ft.	93 lbs.	
HSP	1500MH	15 X 5	2H X 1V	1,416,179	4.5 sq. ft.	93 lbs.	
VW	1500MH	39 X 47	5H X 6V	113,387	4.5 sq. ft.	93 lbs.	
XS	1500MH	6 X 5	1H X 1V	2,369,347	4.5 sq. ft.	93 lbs.	

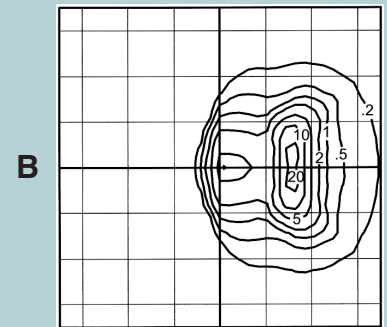
▲ = Represented by isoline at right

FOOTCANDLE (fc1) ISOLINES

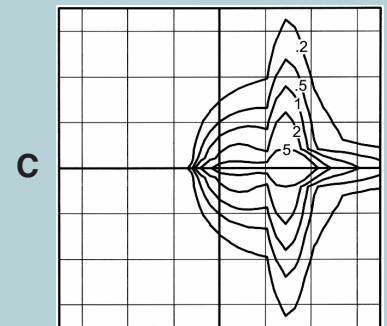
1.0 If, 56° tilt, grid increment = mtg. ht.



9000-VLW-1000MH



9000-VW-1000MH



9000-XS-1000MH

CONVERSION FACTORS (CF)

$$fc2 = fc1 \times CF$$

fc2 is footcandle for applicable wattage and mounting height

For isolines A, B and C

	FIXTURE MTG. HT. (in feet)			
	25	30	40	50
1000MH	2.56	1.77	1.00	0.64
1500MH	3.84	2.67	1.50	0.96

Series 9000

400-1000 Watt Pulse Start Metal Halide / 1000-1500 Watt Metal Halide
1000 Watt High Pressure Sodium

SPECIFICATIONS *CONTINUED*

Position/ Optics	Lamp Wattage/ Lamp Type	Beam Spread @50%	IES		EPA	Weight	Note
			NEMA	Max. Candlepower			
High Pressure Sodium							
VLN	1000HPS	48 X 6	4H X 1V	377,800	4.5 sq. ft.	90 lbs.	
VLM	1000HPS	52 X 7	5H X 1V	261,426	4.5 sq. ft.	90 lbs.	
VLW	1000HPS	52 X 9	5H X 2V	203,018	4.5 sq. ft.	90 lbs.	1
VTN	1000HPS	44 X 52	6H X 5V	73,000	4.5 sq. ft.	90 lbs.	
VTM	1000HPS	22 X 70	6H X 6V	118,133	4.5 sq. ft.	90 lbs.	
VTW	1000HPS	60 X 81	7H X 6V	59,115	4.5 sq. ft.	90 lbs.	

Notes: 1. Equipped with Internal Louver (IL)