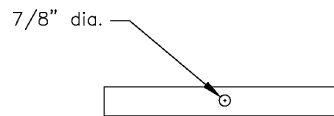
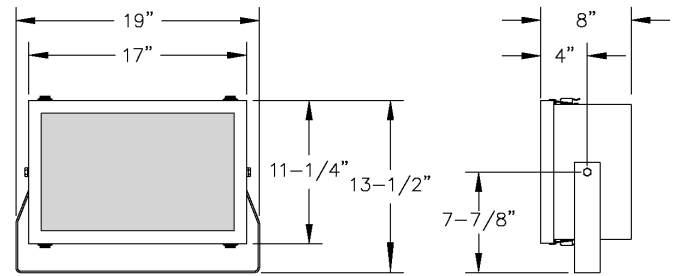




Series 7100

300-900 Watt Quartz

The Series 7100 is the perfect solution for your high wattage quartz needs. With two asymmetric and three twin beam optical patterns to choose from, this fixture can be used to wash monuments and facades of all shapes and sizes. The 7100 is also ideal for down-lighting to provide clean-up or emergency lighting in arenas and convention halls.



Construction Features

Housing: Constructed of heavy gauge, die-formed, 5052 aluminum, with less than 1% copper content. Seams are continuously welded and unitized.

Lens/Door Assembly: Constructed of heavy gauge, die-formed, 5052 aluminum, with less than 1% copper content. Mitered and welded frame secures the tempered thermal and shock resistant Borosilicate glass, sealed to the housing with high temperature, medium density, closed cell silicone gasket. Door frame attached and secured by stainless steel cam fasteners, which operate without the use of tools, for ease of relamping.

Reflector: Electropolished and anodized high purity aluminum, coilzak or equivalent.

Electrical: Socket is prewired to three feet of 16/3 STW cord. Cord is secured to housing with a watertight strain relief.

Mounting: Heavy gauge, die-formed hot rolled steel yoke. Available with optional Almag cast aluminum alloy slipfitter (SF), for standard 2 inch pole tenon mounting (2 $\frac{3}{8}$ " OD) by others.

Hardware: All external hardware is stainless steel, aluminum or hot dip galvanized.

Finish: Polyester powder coated finish, fired at high temperatures to produce a durable weatherproof coating. Standard colors include black, bronze and silver. Custom color matching is also available. Please consult the factory for availability.

UL Listed: Suitable for wet locations. UL1598

Series 7100

300-900 Watt Quartz

HOW TO ORDER

EXAMPLE 7100-AYD-900QTZ-277V-00-KSF-CH,FD-BZE

① Series	② Optics	③ Wattage/Lamp Type	④ Voltage	⑤ Shields	⑥ Mounting	⑦ Accessories	⑧ Finish
7100	-	900QTZ	-	277V	-	-	-
							Type in selection(s) Separate multiple options with commas

① Series

7100

② Optics

Refer to SPECIFICATIONS on next page

AYD Asymmetric/Diffuse
AYS Asymmetric/Specular
TBD Twin Beam/Diffuse
TBP Twin Beam/Pebbled
TBS Twin Beam/Specular

③ Wattage/Lamp Type

All lamps are clear mogul base, by others. Several lamp manufacturers may also offer compatible lamps.

Quartz
300QTZ (300T3Q/CL) – Sylvania
500QTZ (500T3Q/CL(FCL)) – Sylvania
900QTZ (Q 1500/900/WM)
 Double-Ended

④ Voltage

277V

⑤ Shields*

00 No shield required
3S 3-Sided Shield
4S 4-Sided Shield
LXS Lexan Shield
TS Top Shield

*Standard finish black

⑥ Mounting

Yoke Mount
YM Yoke Mount Only
YHS YM with Horizontal Sector
YMS YM with Mounting Stud
YSF YM with Slipfitter
YSMP YM with Slipfitter and Mounting Plate
YSWA YM with Wall Pole Mounting Arm
YWB YM with Wall Bracket

Knuckle Slipfitter
KSF Knuckle Slipfitter Only
KMP KSF with Mounting Plate
KWA KSF with Wall Pole Mounting Arm

⑦ Accessories

Separate codes for accessories with a comma

00 No Accessories Required
CH Door Safety Chain
FD Double Fusing
FS Single Fusing
CD Extra Cord (specify total length____ft)
PRF1 120-277V Photocell installed on fixture

⑧ Finish

BLK Black
BZE Bronze
SLV Silver

For
Custom Color,
contact factory

Notes

PROJECT	APPROVAL/ DATE
	FIXTURE TYPE

Series 7100

300-900 Watt Quartz

SPECIFICATIONS

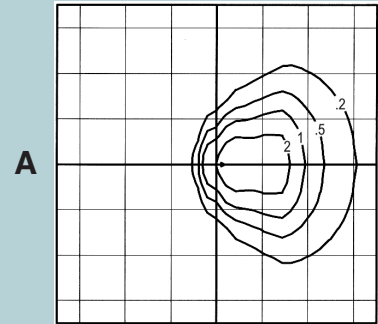
See abslighting.com for photometric files

Optics	Wattage/ Lamp Type	IES Beam Spread @50%	NEMA	Max. Candlepower	EPA	Weight
Quartz						
▲ AYD	900QTZ	80 X 26	6H X 7V	14,420	1.4 sq. ft.	23 lbs.
AYS	900QTZ	93 X 40	7H X 6V	16,480	1.4 sq. ft.	23 lbs.
TBD	900QTZ	91 X 74	7H X 7V	7,622	1.4 sq. ft.	23 lbs.
▲ TBP	900QTZ	78 X 32	7H X 5V	12,075	1.4 sq. ft.	23 lbs.
▲ TBS	900QTZ	81 X 33	7H X 7V	10,094	1.4 sq. ft.	23 lbs.

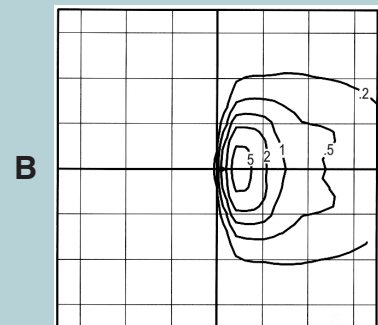
▲ = Represented by isoline at right

FOOTCANDLE (fc1) ISOLINES

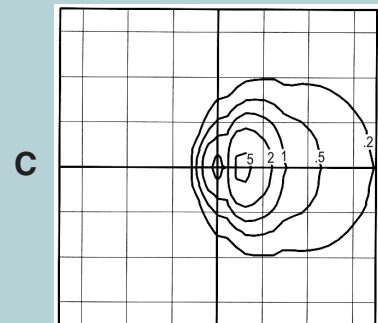
1.0 Iif, 56° tilt, grid increment = mtg. ht.



7100-AYD-900QTZ



7100-TBP-900QTZ



7100-TBS-900QTZ

CONVERSION FACTORS (CF)

$$fc2 = fc1 \times CF$$

fc2 is footcandle for applicable wattage and mounting height

For isolines **A**, **B** and **C**

	FIXTURE MTG. HT. (in feet)			
	25	30	35	40
900QTZ	1.44	1.00	0.73	0.56