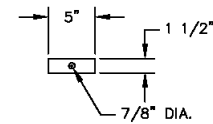
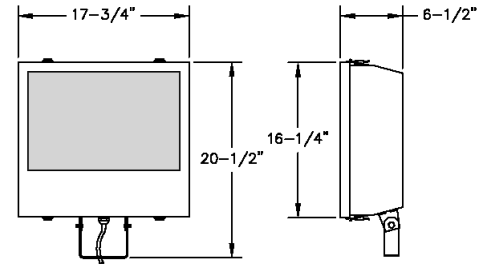




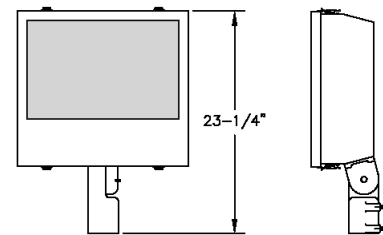
# Series 7000A

200-400 Watt Pulse Start Metal Halide  
70-315 Watt MasterColor  
250-400 Watt High Pressure Sodium

*The mid-size Series 7000A combines high output and superior beam control with an integral ballast for a clean, unified look. With three light sources, five optical patterns, and six shield options, the versatile 7000A has more than 270 optical combinations to choose from.*



with Yoke Mount



with Knuckle Slipfitter

## Construction Features

**Housing:** Constructed of heavy gauge, die-formed, 5052 aluminum, with less than 1% copper content. Seams are continuously welded and unitized.

**Lens/Door Assembly:** Constructed of heavy gauge, die-formed, 5052 aluminum, with less than 1% copper content. Mitered and welded frame secures the tempered thermal and shock resistant borosilicate glass, sealed to the housing with high temperature, medium density, closed cell silicone gasket. Door frame attached and secured by stainless steel cam fasteners, which operate without the use of tools, for ease of relamping.

**Reflector:** Electropolished and anodized high purity aluminum, coilzak or equivalent.

**Electrical Power Tray:** Constructed of heavy gauge, die-formed, 5052 aluminum, with less than 1% copper content. Ballast secured to the removable power tray for ease in service.

**Ballast:** Constant Wattage Autotransformer (CWA) Core & Coil ballast. Available in 120, 208, 240, 277 or 480 volt, and

Multi-Tap (120/208/240/277). Fixtures with yoke mounting supplied prewired to three feet of 16/3 STW cord. Cord is secured to enclosure with a watertight strain relief. Fixtures with knuckle slipfitter mounting supplied prewired to power leads inside fitter's wiring compartment. Note: Multi-Tap ballast wired to 277V.

**Mounting:** Heavy gauge, die-formed hot rolled steel yoke. Available with optional Almag cast aluminum alloy slipfitter (SF) or knuckle slipfitter (KSF), for standard 2 inch pole tenon mounting (2 3/8" OD) by others.

**Hardware:** All external hardware is stainless steel, aluminum or hot dip galvanized.

**Finish:** Polyester powder coated finish, fired at high temperatures to produce a durable weatherproof coating. Standard colors include black, bronze and silver. Custom color matching is also available. Please consult the factory for availability.

**UL Listed:** Suitable for wet locations. UL1598

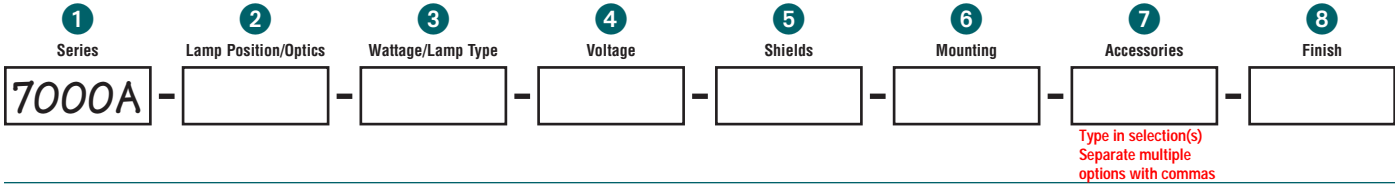
# Series 7000A

200-400 Watt Pulse Start Metal Halide / 70-315 Watt MasterColor

250-400 Watt High Pressure Sodium

## HOW TO ORDER

EXAMPLE 7000A-HFM-400PS-240V-LS-YSF-FD,CH-BZE



### 1 Series

**7000A** Integral Ballast

### 2 Lamp Position/Optics

Refer to SPECIFICATIONS on next page

- HFM** Horizontal/Flood Medium
- HFMP** Horizontal/Flood Medium Pebbled
- HFN** Horizontal/Flood Narrow
- HFV** Horizontal/Flood Wide
- HNA** Horizontal/Narrow Asymmetric
- HMA** Horizontal/Medium Asymmetric

### 3 Wattage/Lamp Type

All lamps are clear, by others. Several lamp manufacturers may also offer compatible lamps.

Pulse Start Metal Halide

- 200PS** (MS200W/H75/PS/T15) – Venture
- 320PS** (MS320W/H75/PS/ED28) – Venture
- 350PS** (MS350W/H75/PS/ED28) – Venture
- 400PS** (MS400W/H75/PS/ED28) – Venture
- 400PS1** (MS400/PS/U/BT28) – Sylvania
- 400PS2** (MS400/PS/U/BT37) – Sylvania

MasterColor

- 70MC** (210T9/930/U/E) – Philips
- 210MC** (210T9/930/U/E) – Philips
- 250MC** (MC250T9/U/G22/830PB) – Sylvania
- 315MC** (315T9/930/U/E) – Philips

High Pressure Sodium

- 250HPS** (LU250)
- 400HPS** (LU400)

### 4 Voltage

- 120V**
- 208V**
- 240V**
- 277V**
- 480V**
- MT(120-277V)** Multi-Tap

### 5 Shields\*

- 00** No shield required
- 3S** 3-Sided Shield
- 4S** 4-Sided Shield
- AS** Adjustable Louver Shield
- LS** Fixed Louver Shield (external)
- LXS** Lexan Shield
- TS** Top Shield

\*Standard finish black

### 6 Mounting

- Yoke Mount
- YM** Yoke Mount Only
  - YHS** YM with Horizontal Sector
  - YMS** YM with Mounting Stud
  - YSF** YM with Slipfitter
  - YSMP** YM with Slipfitter and Mounting Plate
  - YSWA** YM with Wall Pole Mounting Arm
  - YWB** YM with Wall Bracket

Knuckle Slipfitter

- KSF** Knuckle Slipfitter Only
- KMP** KSF with Mounting Plate
- KWA** KSF with Wall Pole Mounting Arm

### 7 Accessories

Separate codes for accessories with a comma

- 00** No Accessories Required
- CH** Door Safety Chain
- FD** Double Fusing
- FS** Single Fusing
- CD** Extra Cord (specify total length\_\_\_\_\_ft)
- PRF1** 120-277V Photocell installed on fixture
- PRF2** 480V Photocell installed on fixture

### 8 Finish

- BLK** Black
  - BZE** Bronze
  - SLV** Silver
- For Custom Color, contact factory

### Notes

PROJECT	APPROVAL/ DATE
	FIXTURE TYPE

# Series 7000A

200-400 Watt Pulse Start Metal Halide / 70-315 Watt MasterColor  
250-400 Watt High Pressure Sodium

## SPECIFICATIONS

See [abslighting.com](http://abslighting.com) for photometric files

Lamp Position/ Optics	Wattage/ Lamp Type	IES Beam Spread @50%	NEMA	Max. Candlepower	EPA	Weight
<b>Pulse Start Metal Halide</b>						
HFM	200PS	80 X 13	6H X 5V	16,284	2.0 sq. ft.	28 lbs.
HFMP	200PS	77 X 18	6H X 6V	14,720	2.0 sq. ft.	28 lbs.
HFW	200PS	82 X 40	6H X 6V	7,544	2.0 sq. ft.	28 lbs.
HNA	200PS	82 X 6	5H X 2V	29,440	2.0 sq. ft.	28 lbs.
HMA	200PS	98 X 13	6H X 5V	17,756	2.0 sq. ft.	28 lbs.
▲ HFM	320PS	80 X 13	6H X 6V	25,665	2.0 sq. ft.	30 lbs.
HFMP	320PS	77 X 18	6H X 6V	23,320	2.0 sq. ft.	30 lbs.
HFW	320PS	82 X 40	6H X 6V	11,890	2.0 sq. ft.	30 lbs.
HNA	320PS	82 X 6	5H X 2V	46,400	2.0 sq. ft.	30 lbs.
HMA	320PS	98 X 13	6H X 5V	27,985	2.0 sq. ft.	30 lbs.
HFM	350PS	80 X 13	6H X 6V	28,851	2.0 sq. ft.	30 lbs.
HFMP	350PS	77 X 18	6H X 6V	25,845	2.0 sq. ft.	30 lbs.
HFW	350PS	82 X 40	6H X 6V	13,245	2.0 sq. ft.	30 lbs.
▲ HNA	350PS	82 X 6	5H X 2V	52,690	2.0 sq. ft.	30 lbs.
HMA	350PS	98 X 13	6H X 5V	31,176	2.0 sq. ft.	30 lbs.
HFM	400PS	80 X 13	6H X 6V	34,692	2.0 sq. ft.	30 lbs.
HFMP	400PS	77 X 18	6H X 6V	31,360	2.0 sq. ft.	30 lbs.
HFW	400PS	82 X 39	7H X 6V	14,188	2.0 sq. ft.	30 lbs.
HNA	400PS	81 X 7	6H X 2V	51,478	2.0 sq. ft.	30 lbs.
HMA	400PS	109 X 16	7H X 5V	28,183	2.0 sq. ft.	30 lbs.
HFM	400PS1	80 X 13	6H X 6V	26,886	2.0 sq. ft.	30 lbs.
HFMP	400PS1	77 X 18	6H X 6V	24,304	2.0 sq. ft.	30 lbs.
HFW	400PS1	82 X 39	7H X 6V	10,995	2.0 sq. ft.	30 lbs.
HNA	400PS1	81 X 7	6H X 2V	38,895	2.0 sq. ft.	30 lbs.
HMA	400PS1	109 X 16	7H X 5V	21,842	2.0 sq. ft.	30 lbs.

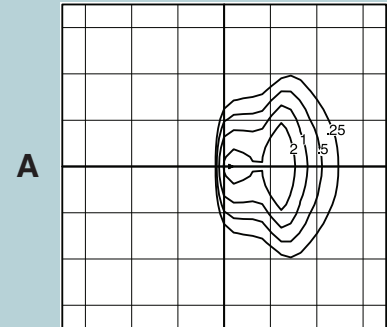
## High Pressure Sodium

HFM	250HPS	75 X 15	6H X 5V	26,200	2.0 sq. ft.	23 lbs.
HFMP	250HPS	84 X 24	6H X 5V	21,800	2.0 sq. ft.	23 lbs.
HFW	250HPS	82 X 45	6H X 6V	11,800	2.0 sq. ft.	23 lbs.
HNA	250HPS	85 X 7	6H X 3V	50,000	2.0 sq. ft.	23 lbs.
HMA	250HPS	85 X 7	6H X 4V	40,000	2.0 sq. ft.	23 lbs.
HFM	400HPS	76 X 13	6H X 5V	44,000	2.0 sq. ft.	30 lbs.
HFMP	400HPS	6 X 13	4H X 4V	50,000	2.0 sq. ft.	30 lbs.
▲ HFW	400HPS	82 X 42	6H X 6V	18,500	2.0 sq. ft.	30 lbs.
HNA	400HPS	81 X 7	6H X 2V	90,860	2.0 sq. ft.	30 lbs.
HMA	400HPS	98 X 10	7H X 5V	52,930	2.0 sq. ft.	30 lbs.

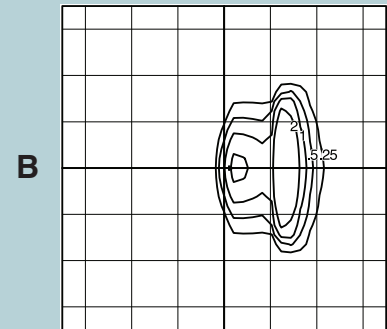
▲ = Represented by isoline at right

## FOOTCANDLE (fc1) ISOLINES

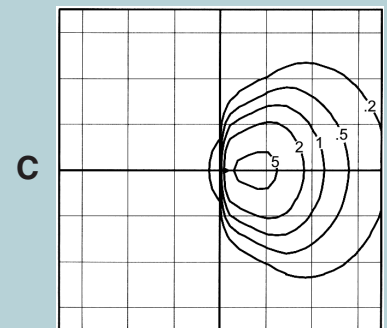
1.0 If, 56° tilt, grid increment = mtg. ht.



7000A-HFM-250PS



7000A-HNA-250PS



7000A-HFW-400HPS

## CONVERSION FACTORS (CF)

$$fc2 = fc1 \times CF$$

fc2 is footcandle for applicable wattage and mounting height

For isolines A and B

	FIXTURE MTG. HT. (in feet)		
	20	30	40
200PS	0.68	0.47	0.27
320PS	1.07	0.74	0.42
350PS	1.20	0.83	0.47
400PS	1.44	1.00	0.56
400PS1	1.16	0.78	0.44

For isoline C

	20	30	40
	250HPS	1.35	0.60
400HPS	2.25	1.00	0.56