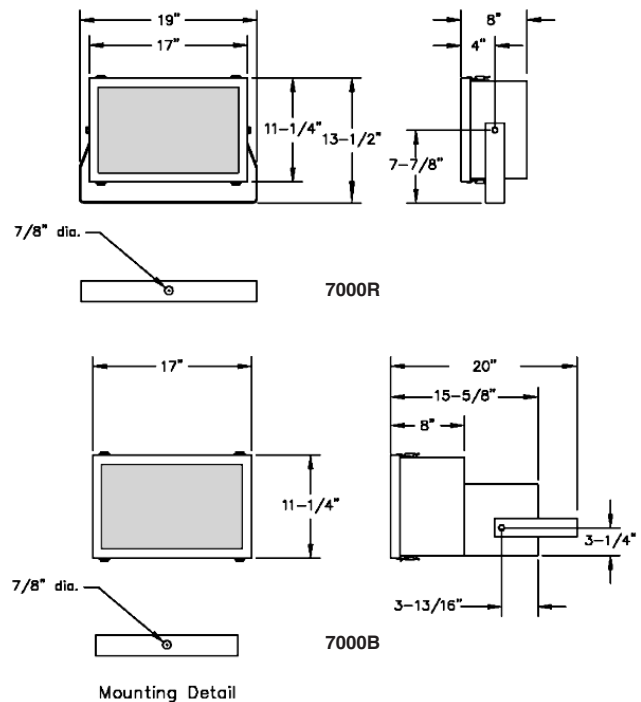




Series 7000

250-400 Watt Pulse Start Metal Halide
70-315 Watt MasterColor
250-400 Watt High Pressure Sodium

The mid-size Series 7000 floodlight offers high output, controlled beam illumination in an easy to install housing design. With beam patterns ranging from narrow to wide, the 7000 is ideal for applications where beam control and sharp cut-offs are required.



Construction Features

Housing: Constructed of heavy gauge, die-formed, 5052 aluminum, with less than 1% copper content. Seams are continuously welded and unitized.

Lens/Door Assembly: Constructed of heavy gauge, die-formed, 5052 aluminum, with less than 1% copper content. Mitered and welded frame secures the tempered thermal and shock resistant borosilicate glass, sealed to the housing with high temperature, medium density, closed cell silicone gasket. Door frame attached and secured by stainless steel cam fasteners, which operate without the use of tools, for ease of relamping.

Reflector: Electropolished and anodized high purity aluminum, coilzak or equivalent.

Back-Mount Ballast Enclosure (Series 7000B): Constructed of heavy gauge, die-formed, 5052 aluminum, with less than 1% copper content. Seams are continuously welded and unitized. Ballast secured to a removable ballast tray for ease in service.

Remote Ballast Enclosure (Series 7000R): See accessories sheet for details.

Ballast: Constant Wattage Autotransformer (CWA) Core & Coil ballast. Available in 120, 208, 240, 277 or 480 volt, and Multi-Tap (120/208/240/277), prewired to three feet of 16/3 STW cord. Cord is secured to enclosure with a watertight strain relief.

Mounting: Heavy gauge, die-formed hot rolled steel yoke. Available with optional Almag cast aluminum alloy slipfitter (SF), for standard 2 inch pole tenon mounting (2 $\frac{3}{8}$ " OD) by others.

Hardware: All external hardware is stainless steel, aluminum or hot dip galvanized.

Finish: Polyester powder coated finish, fired at high temperatures to produce a durable weatherproof coating. Standard colors include black, bronze and silver. Custom color matching is also available. Please consult the factory for availability.

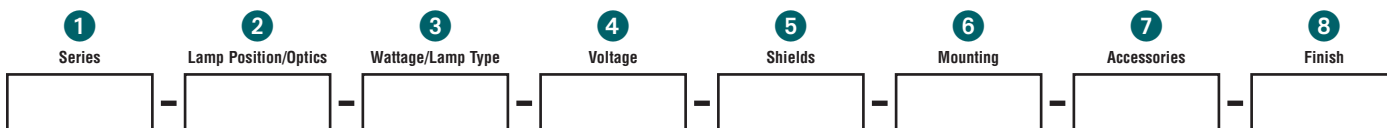
UL Listed: Suitable for wet locations. UL1598

Series 7000

250-400 Watt Pulse Start Metal Halide / 70-315 Watt MasterColor
250-400 Watt High Pressure Sodium

HOW TO ORDER

EXAMPLE 7000-HM-400PS-277-00-YSF-CH,FD-BZE



1 Series

7000B Back-Mount Ballast
7000R Remote Ballast

2 Lamp Position/Optics

Refer to SPECIFICATIONS on next page
HA Horizontal/Asymmetric*
HM Horizontal/Medium
HN Horizontal/Narrow
HW Horizontal/Wide
**HPS only*

3 Wattage/Lamp Type

All lamps are clear, by others. Several lamp manufacturers may also offer compatible lamps.
Pulse Start Metal Halide
200PS (MS200W/H75/PS/T15) – Venture
320PS (MS320W/H75/PS/ED28) – Venture
350PS (MS350W/H75/PS/ED28) – Venture
400PS (MS400W/H75/PS/ED28) – Venture
400PS1 (MS400/PS/U/BT28) – Sylvania
400PS2 (MS400/PS/U/BT37) – Sylvania

4 Voltage

120V
208V
240V
277V
480V
MT(120-277V) Multi-Tap

MasterColor

70MC (70T9/930/U/E) – Philips
210MC (210T9/930/U/E) – Philips
250MC (MC250T9/U/G22/830PB) – Sylvania
315MC (315T9/930/U/E) – Philips

High Pressure Sodium

250HPS (LU250)
400HPS (LU400)

5 Shields*

00 No shield required
3S 3-Sided Shield
4S 4-Sided Shield
AS Adjustable Louver Shield
LS Fixed Louver Shield (external)
LXS Lexan Shield
TS Top Shield

**Standard finish black*

6 Mounting

Yoke Mount
YM Yoke Mount Only
YHS YM with Horizontal Sector
YMA YM with Wall/Pole Mounting Arm
YMP YM with Mounting Plate
YMS YM with Mounting Stud
YPA YM with Pole Top Adapter
YSF YM with Slipfitter
YWB YM with Wall Bracket

7 Accessories

Separate codes for accessories with a comma
00 No Accessories Required
CGF Dichroic Glass Lens
CH Door Safety Chain
FD Double Fusing
FS Single Fusing
PRF1 120-277V Photocell installed on fixture
PRF2 480V Photocell installed on fixture

8 Finish

BLK Black
BZE Bronze
SLV Silver
For Custom Color, contact factory

PROJECT	APPROVAL/ DATE
	FIXTURE TYPE

Series 7000

250-400 Watt Pulse Start Metal Halide / 70-315 Watt MasterColor
250-400 Watt High Pressure Sodium

SPECIFICATIONS

See abslighting.com for photometric files

Lamp Position/ Optics	Wattage/ Lamp Type	IES Beam Spread @50%	NEMA	Max. Candlepower	EPA*	Weight*
Pulse Start Metal Halide						
HN	200PS	22 X 6	2H X 2V	44,880	1.7 sq. ft.	37 lbs.
HM	200PS	77 X 19	6H X 5V	15,313	1.7 sq. ft.	37 lbs.
HW	200PS	96 X 29	7H X 6V	9,957	1.7 sq. ft.	37 lbs.
HN	320PS	22 X 29	2H X 2V 6	1,200	1.7 sq. ft.	37 lbs.
HM	320PS	77 X 19	6H X 5V	20,882	1.7 sq. ft.	37 lbs.
HW	320PS	96 X 29	7H X 6V	13,577	1.7 sq. ft.	37 lbs.
HN	350PS	22 X 6	2H X 2V	67,320	1.7 sq. ft.	37 lbs.
HM	350PS	77 X 17	6H X 5V	22,970	1.7 sq. ft.	37 lbs.
HW	350PS	96 X 29	7H X 6V	14,935	1.7 sq. ft.	37 lbs.
HN	400PS	70 X 5	6H X 2V	62,150	1.7 sq. ft.	39 lbs.
▲ HM	400PS	77 X 19	6H X 5V	27,807	1.7 sq. ft.	39 lbs.
HW	400PS	96 X 29	7H X 6V	18,080	1.7 sq. ft.	37 lbs.
HN	400PS1	70 X 5	6H X 2V	48,166	1.7 sq. ft.	39 lbs.
HM	400PS1	77 X 19	6H X 5V	27,807	1.7 sq. ft.	39 lbs.
HW	400PS1	96 X 29	7H X 6V	14,012	1.7 sq. ft.	37 lbs.

High Pressure Sodium

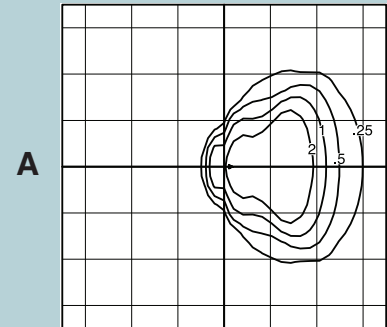
HA	250HPS	20 X 3	2H X 0V	130,200	1.7 sq. ft.	23 lbs.
HN	250HPS	5 X 4	1H X 1V	15,120	1.7 sq. ft.	32 lbs.
HM	250HPS	93 X 10	6H X 2V	50,000	1.7 sq. ft.	32 lbs.
HW	250HPS	84 X 43	6H X 5V	17,985	1.7 sq. ft.	32 lbs.
HA	400HPS	20 X 3	2H X 0V	217,000	1.7 sq. ft.	41 lbs.
▲ HN	400HPS	5 X 4	1H X 1V	252,000	1.7 sq. ft.	41 lbs.
▲ HM	400HPS	5 X 17	1H X 2V	178,500	1.7 sq. ft.	41 lbs.
HW	400HPS	91 X 44	6H X 5V	31,000	1.7 sq. ft.	41 lbs.

▲ = Represented by isoline at right

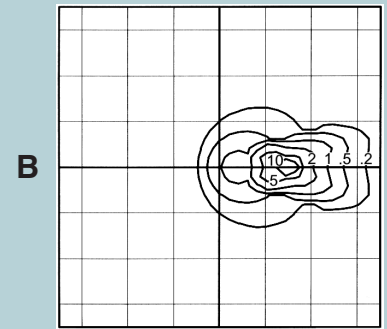
*EPA and Weight specifications apply to units equipped with back-mount ballast (Series 7000B).
Contact the factory for EPA and weight for remote mount ballast (Series 7000R).

FOOTCANDLE (fc1) ISOLINES

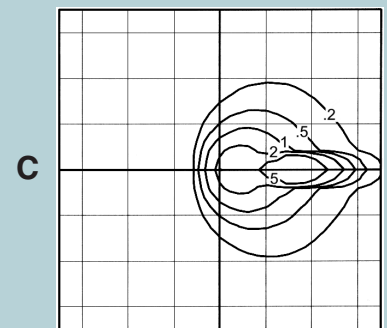
1.0 lf, 56° tilt, grid increment = mtg. ht.



7000-HM-400PS



7000-HN-400HPS



7000-HM-400HPS

CONVERSION FACTORS (CF)

$$fc2 = fc1 \times CF$$

fc2 is footcandle for applicable wattage and mounting height

For isoline A

	FIXTURE MTG. HT. (in feet)		
	20	30	40
200PS	1.07	0.48	0.27
320PS	1.60	0.75	0.42
350PS	1.80	0.83	0.46
400PS	2.25	1.00	0.56
400PS1	1.74	0.78	0.46

For isolines B and C

	20	30	40
	250HPS	1.35	0.60
400HPS	2.25	1.00	0.56