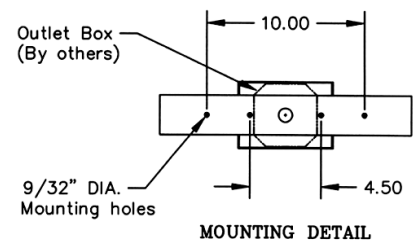
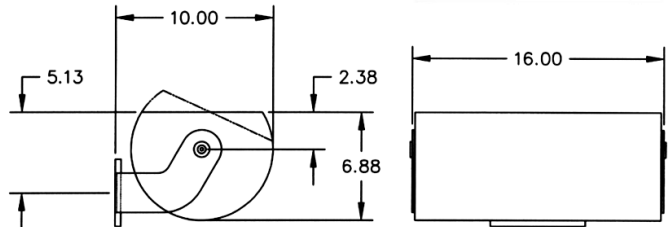




Series 6100

250-400 Watt Pulse Start Metal Halide
250 Watt MasterColor
250-400 Watt High Pressure Sodium

The wall-mounted Series 6100 indoor, indirect fixture provides an asymmetric beam pattern and tilt adjustability for evenly lit interior spaces. Popular applications include civic centers, schools, airport terminals, office buildings and indoor swimming facilities.



Construction Features

Housing: Constructed of roll-formed and laser cut, heavy gauge 5052 aluminum, with less than 1% copper content. Seams are continuously welded, unitized and ground for a smooth exterior surface.

Lens Assembly: Lift and shift lens frame constructed of heavy gauge, die-formed, 5052 aluminum, with less than 1% copper content secures the thermal and shock resistant Borosilicate glass. Lens assembly sealed to the housing with high temperature, medium density, closed cell silicone gasket for dust protection.

Reflector: Electropolished and anodized high purity aluminum, coilzak or equivalent.

Ballast: Remote mounted protected dual-volt (120/277) F-can ballast, with automatic resetting thermal protection and wire compartment.

Mounting: Adjustable yoke mount constructed of die-formed aluminum. Formed junction box cover included.

Hardware: All external hardware is stainless steel, aluminum or hot dip galvanized.

Finish: Polyester powder coated finish, fired at high temperatures to produce a durable weatherproof coating. Standard colors include textured white, black, bronze and silver. Custom color matching is also available. Please consult the factory for availability.

UL Listed: UL1598

Series 6100

250-400 Watt Pulse Start Metal Halide / 250 Watt MasterColor
250-400 Watt High Pressure Sodium

HOW TO ORDER

EXAMPLE 6100-HA-400PS-277V-LXS-YM-CH-BZE

① Series	② Lamp Position/Optics	③ Wattage/Lamp Type	④ Voltage	⑤ Shields	⑥ Mounting	⑦ Accessories	⑧ Finish
6100	HA				YM		

Type in selection(s)
Separate multiple options with commas

① Series

6100 Remote Ballast

② Lamp Position/Optics

HA Horizontal/Asymmetric

③ Wattage/Lamp Type

All lamps are clear mogul base, by others.
Several lamp manufacturers may also offer compatible lamps.

Pulse Start Metal Halide
250PS (MS250W/H75/PS/T15) – Venture
400PS (MH400W/T15) – Philips

MasterColor
250MC1 (MC250T9/U/G22/830PB) – Sylvania

High Pressure Sodium
250HPS (LU250)
400HPS (LU400)

④ Voltage

120V
208V
240V
277V
480V
MT(120-277V) Multi-Tap

⑤ Shields

00 No shield required
LXS Lexan Shield
SC Sconce*
TS Top Shield*

*Finish same color as fixture

⑥ Mounting

YM Yoke Mount

⑦ Accessories

Separate codes for accessories with a comma

00 No Accessories Required
CH Door Safety Chain
FD Double Fusing
FS Single Fusing
CD Extra Cord (specify total length _____ ft)

⑧ Finish

BLK Black
BZE Bronze
SLV Silver
WHT White (textured)

For
Custom Color,
 contact factory

Notes

PROJECT	APPROVAL/ DATE
	FIXTURE TYPE

Series 6100

250-400 Watt Pulse Start Metal Halide / 250 Watt MasterColor
250-400 Watt High Pressure Sodium

SPECIFICATIONS

See abslighting.com for photometric files

Lamp Position/ Optics	Wattage/ Lamp Type	IES Beam Spread @50%	NEMA	Max. Candlepower	EPA	Weight*
--------------------------	-----------------------	----------------------------	------	---------------------	-----	---------

Pulse Start Metal Halide

▲ HA	250PS	91 X 71	7H X 5V	6,732	.78 sq. ft.	9 lbs.
HA	400PS	89 X 67	6H X 5V	15,282	.78 sq. ft.	9 lbs.

High Pressure Sodium

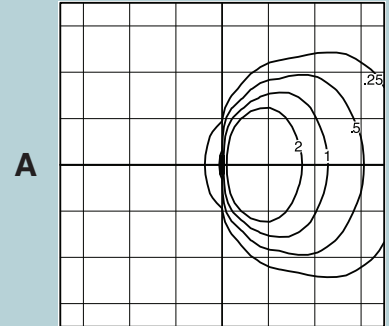
▲ HA	250HPS	89 X 77	6H X 5V	11,400	.78 sq. ft.	9 lbs.
HA	400HPS	84 X 70	6H X 5V	19,000	.78 sq. ft.	9 lbs.

▲ = Represented by isoline at right

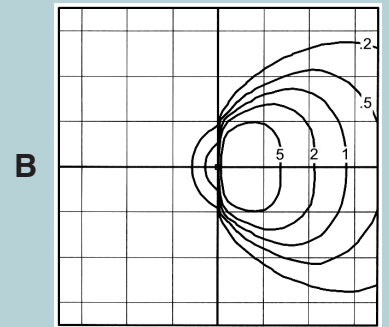
*Weights do not include remote ballast.

FOOTCANDLE (fc1) ISOLINES

Note: Data for fixtures aimed directly
1.0 If, 45° tilt, grid increment = mtg. ht.



6100-HA-250PS



6100-HA-250HPS

CONVERSION FACTORS (CF)

$$fc2 = fc1 \times CF$$

fc2 is footcandle for applicable wattage and mounting height

For isoline **A**

	FIXTURE MTG. HT. (in feet)			
	10	12	15	20
250PS	4.00	2.78	1.78	1.00
400PS	7.27	5.05	3.23	1.82

For isoline **B**

	10	12	15	20
	250HPS	4.00	2.77	1.77
400HPS	—	—	2.93	1.66