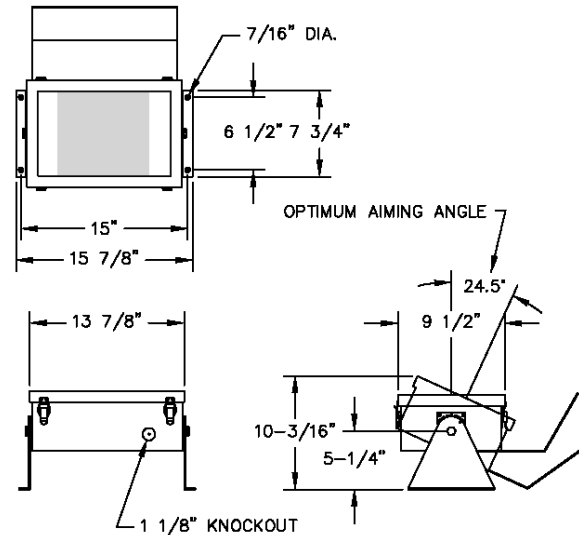




Series 5200

50-100 Watt Pulse Start Metal Halide

The Series 5200 is the perfect choice for evenly lighting outdoor signage. Its small size and durable construction ensure that it will be unobtrusive and weather the elements for years to come. Mounting degree indicator assures easy and accurate aiming.



Construction Features

Housing: Constructed of heavy gauge, die-formed, 5052 aluminum, with less than 1% copper content. Seams are continuously welded and unitized.

Lens/Door Assembly: Constructed of heavy gauge, die-formed, 5052 aluminum, with less than 1% copper content. Mitered and welded frame secures the tempered thermal and shock resistant Borosilicate glass, sealed to the housing with high temperature, medium density, closed cell silicone gasket. Door frame attached and secured by stainless steel cam fasteners, which operate without the use of tools, for ease of relamping.

Reflector: Electropolished and anodized high purity aluminum, coilzak or equivalent.

Electrical Power Tray: Constructed of heavy gauge, die-formed, 5052 aluminum, with less than 1% copper content. Ballast secured to a removable ballast tray for ease of service

Ballast: Constant Wattage Autotransformer (CWA) Core & Coil ballast. Available in 120, 208, 240, 277 or 480 volt, and Multi-Tap (120/208/240/277), prewired to 6" leads for field connection.

Mounting: Choice of heavy gauge aluminum brackets or die formed hot rolled steel yoke. Includes aiming indicator marked in 15° increments.

Hardware: All external hardware is stainless steel, aluminum or hot dip galvanized.

Finish: Polyester powder coated finish, fired at high temperatures to produce a durable weatherproof coating. Standard colors include black, bronze and silver. Custom color matching is also available. Please consult the factory for availability.

Series 5200

50-100 Watt Pulse Start Metal Halide

HOW TO ORDER

EXAMPLE 5200-HFN-175MH-480V-LXS-YSF-PC1,CH-BZE

① Series	② Lamp Position/Optics	③ Wattage/Lamp Type	④ Voltage	⑤ Shields	⑥ Mounting	⑦ Accessories	⑧ Finish
5200	-	-	-	-	-	-	-

Type in selection(s)
Separate multiple options with commas

① Series

5200 Internal Ballast

② Lamp Position/Optics

Refer to SPECIFICATIONS on next page

HFN Horizontal/Flood Narrow
HFM Horizontal/Flood Medium
HFMP Horizontal/Flood Medium Pebbled
HSW Horizontal/Spot Wide

③ Wattage/Lamp Type

All lamps are clear medium base, by others. Several lamp manufacturers may also offer compatible lamps.

Pulse Start Metal Halide
50PS (MP50/U/MED/ED17) – Sylvania
70PS (MP70/U/MED/ED17) – Sylvania
100PS (MP100/U/MED/ED17) – Sylvania

④ Voltage

120V
 208V
 240V
 277V
 480V
MT(120-277V) Multi-Tap

⑤ Shields*

00 No shield required
3S 3-Sided Shield
4S 4-Sided Shield
LXS Lexan Shield
TS Top Shield

*Standard finish black

⑥ Mounting

Yoke Mount
YM Yoke Mount Only
YHS YM with Horizontal Sector
YMS YM with Mounting Stud
YSF YM with Slipfitter
YSMP YM with Slipfitter and Mounting Plate
YSWA YM with Wall Pole Mounting Arm
YWB YM with Wall Bracket
Other
MB Mounting Bracket

⑦ Accessories

Separate codes for accessories with a comma
00 No Accessories Required
CH Door Safety Chain
FD Double Fusing
FS Single Fusing
CD Extra Cord (specify total length ____ft)
PC1 Photocell 120-277V
PRF1 120-277V Photocell installed on fixture
PRF2 480V Photocell installed on fixture

⑧ Finish

BLK Black
BZE Bronze
SLV Silver
 For Custom Color, contact factory

Notes

PROJECT	APPROVAL/ DATE
	FIXTURE TYPE

Series 5200

50-100 Watt Pulse Start Metal Halide

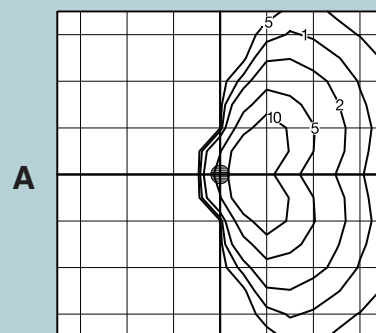
SPECIFICATIONS See abslighting.com for photometric files

Lamp Position/ Optics	Wattage/ Lamp Type	IES Beam Spread @50%	NEMA	Max. Candlepower	EPA	Weight
Pulse Start Metal Halide						
HFN	50PS	48 X 15	7H X 5V	1,582	.99 sq. ft.	18 lbs.
HFMP	50PS	54 X 41	7H X 6V	806	.99 sq. ft.	18 lbs.
HFMP	50PS	42 X 30	7H X 6V	1,232	.99 sq. ft.	18 lbs.
HSW	50PS	132 X 89	7H X 7V	248	.99 sq. ft.	18 lbs.
HFN	70PS	48 X 15	7H X 5V	4,289	.99 sq. ft.	18 lbs.
▲ HFMP	70PS	54 X 41	7H X 6V	2,188	.99 sq. ft.	18 lbs.
▲ HFMP	70PS	42 X 30	7H X 6V	3,339	.99 sq. ft.	18 lbs.
▲ HSW	70PS	132 X 89	7H X 7V	687	.99 sq. ft.	18 lbs.
HFN	100PS	48 X 15	7H X 5V	7,013	.99 sq. ft.	18 lbs.
HFMP	100PS	54 X 41	7H X 6V	3,577	.99 sq. ft.	18 lbs.
HFMP	100PS	42 X 30	7H X 6V	5,460	.99 sq. ft.	18 lbs.
HSW	100PS	132 X 89	7H X 7V	1,116	.99 sq. ft.	18 lbs.

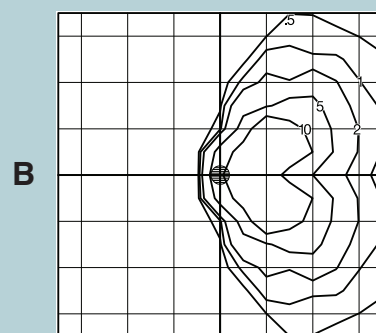
▲ = Represented by isoline at right

FOOTCANDLE (fc1) ISOLINES

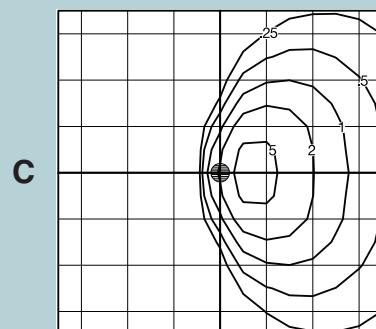
1.0 If, 70° tilt, grid increment = setback



5200-HFMP-70PS



5200-HFM-70PS



5200-HSW-70PS

CONVERSION FACTORS (CF)

$$fc2 = fc1 \times CF$$

fc2 is footcandle for applicable wattage and setback

For isolines **A**, **B** and **C**

	FIXTURE MTG. HT. (in feet)		
	2.5	5	7
50PS	2.65	0.66	0.34
70PS	4.00	1.00	0.51
100PS	6.54	1.63	0.83