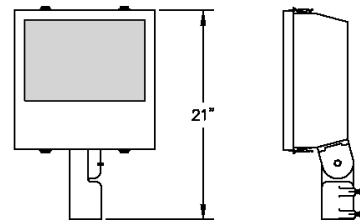
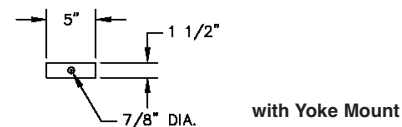
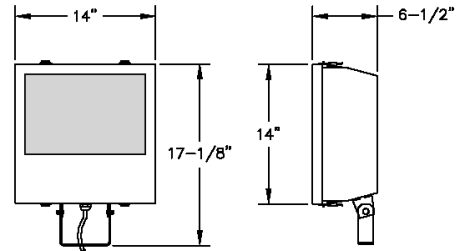




Series 5000A

70-175 Watt Pulse Start Metal Halide
35-150 Watt High Pressure Sodium

The Series 5000A provides a wide range of beam patterns, outstanding light control, sharp cut-offs, optional internal louvers and an integral ballast. This compact, medium wattage fixture can easily be concealed or blended with its surroundings.



Construction Features

Housing: Constructed of heavy gauge, die-formed, 5052 aluminum, with less than 1% copper content. Seams are continuously welded and unitized.

Lens/Door Assembly: Constructed of heavy gauge, die-formed, 5052 aluminum, with less than 1% copper content. Mitered and welded frame secures the tempered thermal and shock resistant borosilicate glass, sealed to the housing with high temperature, medium density, closed cell silicone gasket. Door frame attached and secured by stainless steel cam fasteners, which operate without the use of tools, for ease of relamping.

Reflector: Electropolished and anodized high purity aluminum, coilzak or equivalent.

Electrical Power Tray: Constructed of heavy gauge, die-formed, 5052 aluminum, with less than 1% copper content. Ballast secured to the removable power tray for ease in service.

Ballast: Constant Wattage Autotransformer (CWA) Core & Coil ballast. Available in 120, 208, 240, 277 or 480 volt, and

Multi-Tap (120/208/240/277). Fixtures with yoke mounting supplied prewired to three feet of 16/3 STW cord. Cord is secured to enclosure with a watertight strain relief. Fixtures with knuckle slipfitter mounting supplied prewired to power leads inside fitter's wiring compartment.

Mounting: Heavy gauge, die-formed hot rolled steel yoke. Available with optional Almag cast aluminum alloy slipfitter (SF) or knuckle slipfitter (KSF), for standard 2 inch pole louver mounting (2 3/8" OD) by others.

Hardware: All external hardware is stainless steel, aluminum or hot dip galvanized.

Finish: Polyester powder coated finish, fired at high temperatures to produce a durable weatherproof coating. Standard colors include black, bronze and silver. Custom color matching is also available. Please consult the factory for availability.

UL Listed: Suitable for wet locations. UL1598

Series 5000A

70-175 Watt Pulse Start Metal Halide / 35-150 Watt High Pressure Sodium

HOW TO ORDER

EXAMPLE 5000A-HFM-150PS-277V-TS-YM-PC1,CH-BZE

1 Series	2 Lamp Position/Optics	3 Wattage/Lamp Type	4 Voltage	5 Shields	6 Mounting	7 Accessories	8 Finish
5000A							

Type in selection(s)
Separate multiple options with commas

1 Series

5000A Integral Ballast

2 Lamp Position/Optics

Refer to SPECIFICATIONS on next page

- HFM** Horizontal/Flood Medium
- HFMP** Horizontal/Flood Medium Pebbled
- HFN** Horizontal/Flood Narrow
- HFV** Horizontal/Flood Wide
- HNA** Horizontal/Narrow Asymmetric
- HMA** Horizontal/Medium Asymmetric

3 Wattage/Lamp Type

All lamps are clear mogul base, by others. Several lamp manufacturers may also offer compatible lamps.

- Pulse Start Metal Halide
- 70PS** (MH70W/U/ED28/PS) – Venture
 - 100PS** (MH100W/U/ED28/PS) – Venture
 - 125PS** (MH125/HBU/ED28/PS)* – Venture
 - 150PS** (MH150W/U/ED28/PS) – Venture
 - 175PS** (MVR175/U/ED28)** – GE

High Pressure Sodium

- 35HPS** (LU35)
- 50HPS** (LU50)
- 70HPS** (LU70)
- 100HPS** (LU100)
- 150HPS** (LU150)

*Only for horizontal lamp position.
**GE only.

4 Voltage

- 120V
- 208V
- 240V
- 277V
- 480V
- MT(120-277V)** Multi-Tap

5 Shields*

- 00** No shield required
- 3S** 3-Sided Shield
- 4S** 4-Sided Shield
- AS** Adjustable Louver Shield
- LS** Fixed Louver Shield (external)
- LXS** Lexan Shield
- TS** Top Shield

*Standard finish black

6 Mounting

- Yoke Mount
- YM** Yoke Mount Only
 - YHS** YM with Horizontal Sector
 - YMS** YM with Mounting Stud
 - YSF** YM with Slipfitter
 - YSMP** YM with Slipfitter and Mounting Plate
 - YSWA** YM with Wall Pole Mounting Arm
 - YWB** YM with Wall Bracket
- Knuckle Slipfitter
- KSF** Knuckle Slipfitter Only
 - KMP** KSF with Mounting Plate
 - KWA** KSF with Wall Pole Mounting Arm

7 Accessories

- Separate codes for accessories with a comma
- 00** No Accessories Required
 - CH** Door Safety Chain
 - FD** Double Fusing
 - FS** Single Fusing
 - CD** Extra Cord (specify total length____ft)
 - PC1** Photocell 120-277V
 - PRF1** 120-277V Photocell installed on fixture
 - PRF2** 480V Photocell installed on fixture

8 Finish

- BLK** Black
 - BZE** Bronze
 - SLV** Silver
- For
Custom Color
contact factory

Notes

PROJECT	APPROVAL/ DATE
	FIXTURE TYPE

Series 5000A

70-175 Watt Pulse Start Metal Halide / 35-150 Watt High Pressure Sodium

SPECIFICATIONS

See abslighting.com for photometric files

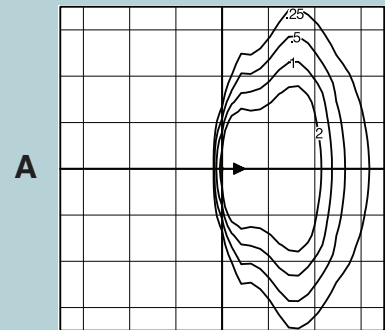
Lamp Position/ Optics	Wattage/ Lamp Type	IES Beam Spread @50%	NEMA	Max. Candlepower	EPA	Weight
Pulse Start Metal Halide						
HFM	70PS	11 X 6	5H X 4V	4,411	1.5 sq. ft.	20 lbs.
HFMP	70PS	86 X 31	6H X 5V	2,478	1.5 sq. ft.	20 lbs.
HFV	70PS	102 X 17	7H X 5V	3,185	1.5 sq. ft.	20 lbs.
HNA	70PS	73 X 10	5H X 3V	5,874	1.5 sq. ft.	20 lbs.
HMA	70PS	87 X 11	5H X 5V	5,355	1.5 sq. ft.	20 lbs.
HFM	100PS	11 X 6	5H X 4V	7,142	1.5 sq. ft.	20 lbs.
HFMP	100PS	86 X 31	6H X 5V	4,012	1.5 sq. ft.	20 lbs.
▲ HFW	100PS	102 X 17	7H X 5V	5,187	1.5 sq. ft.	20 lbs.
HNA	100PS	73 X 10	5H X 3V	9,434	1.5 sq. ft.	20 lbs.
HMA	100PS	87 X 11	5H X 5V	8,670	1.5 sq. ft.	20 lbs.
HFM	125PS	11 X 6	5H X 4V	9,557	1.5 sq. ft.	20 lbs.
HFMP	125PS	86 X 31	6H X 5V	5,369	1.5 sq. ft.	20 lbs.
HFV	125PS	102 X 17	7H X 5V	6,916	1.5 sq. ft.	20 lbs.
HNA	125PS	73 X 9	5H X 3V	1,402	1.5 sq. ft.	20 lbs.
HMA	125PS	87 X 11	5H X 5V	12,892	1.5 sq. ft.	20 lbs.
HFM	150PS	11 X 6	5H X 4V	11,133	1.5 sq. ft.	20 lbs.
HFMP	150PS	86 X 31	6H X 5V	6,949	1.5 sq. ft.	20 lbs.
▲ HFW	150PS	102 X 17	7H X 5V	8,008	1.5 sq. ft.	20 lbs.
HNA	150PS	73 X 9	5H X 3V	14,774	1.5 sq. ft.	20 lbs.
HMA	150PS	87 X 11	5H X 5V	13,515	1.5 sq. ft.	20 lbs.
HFM	175PS	11 X 6	5H X 4V	10,240	1.5 sq. ft.	20 lbs.
HFMP	175PS	86 X 31	6H X 5V	5,752	1.5 sq. ft.	20 lbs.
HFV	175PS	102 X 17	7H X 5V	7,595	1.5 sq. ft.	20 lbs.
HNA	175PS	73 X 9	5H X 3V	13,647	1.5 sq. ft.	20 lbs.
HMA	175PS	87 X 11	5H X 5V	12,431	1.5 sq. ft.	20 lbs.

▲ = Represented by isoline at right

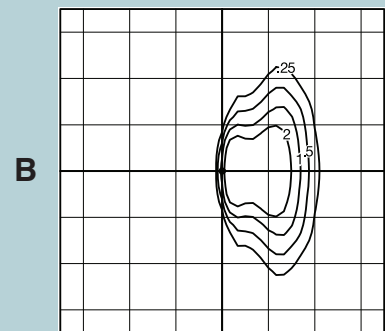
Specifications continued on next page

FOOTCANDLE (fc1) ISOLINES

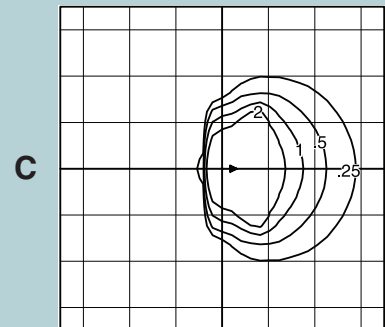
1.0 If, 56° tilt, grid increment = mtg. ht.



5000A-HFW-150PS



5000A-HFW-100PS



5000A-HFM-100HPS

CONVERSION FACTORS (CF)

$$fc2 = fc1 \times CF$$

fc2 is footcandle for applicable wattage and mounting height

For isoline **A**

	FIXTURE MTG. HT. (in feet)			
	5	10	12	15
70PS	2.38	0.59	0.41	0.26
100PS	3.89	0.97	0.67	0.43
150PS	5.76	1.44	1.00	0.64

For isoline **B and C**

	5	10	12	15
	50HPS	—	0.61	0.42
70HPS	—	0.96	0.67	0.43
100HPS	—	1.44	1.00	0.64
150HPS	—	2.42	1.68	1.07

Series 5000A

70-175 Watt Pulse Start Metal Halide / 35-150 Watt High Pressure Sodium

SPECIFICATIONS CONTINUED

Lamp Position/ Optics	Wattage/ Lamp Type	IES Beam Spread @50%	NEMA	Max. Candlepower	EPA	Weight
High Pressure Sodium						
HFM	35HPS	69 X 10	5H X 5V	1,850	1.5 sq. ft.	18 lbs.
HFMP	35HPS	73 X 29	6H X 5V	1,145	1.5 sq. ft.	18 lbs.
HFV	35HPS	70 X 28	6H X 5V	900	1.5 sq. ft.	18 lbs.
HNA	35HPS	62 X 6	5H X 1V	6,123	1.5 sq. ft.	18 lbs.
HMA	35HPS	73 X 8	5H X 3V	2,800	1.5 sq. ft.	18 lbs.
HFM	50HPS	66 X 11	5H X 5V	3,800	1.5 sq. ft.	18 lbs.
HFMP	50HPS	75 X 29	6H X 5V	2,100	1.5 sq. ft.	18 lbs.
HFV	50HPS	77 X 54	6H X 6V	1,176	1.5 sq. ft.	18 lbs.
HNA	50HPS	6 X 6	5H X 1V	11,775	1.5 sq. ft.	18 lbs.
HMA	50HPS	81 X 9	5H X 2V	5,400	1.5 sq. ft.	18 lbs.
HFM	70HPS	66 X 11	5H X 5V	6,080	1.5 sq. ft.	20 lbs.
HFMP	70HPS	75 X 29	6H X 5V	3,360	1.5 sq. ft.	20 lbs.
HFV	70HPS	77 X 54	6H X 6V	1,932	1.5 sq. ft.	20 lbs.
HNA	70HPS	62 X 6	5H X 1V	18,840	1.5 sq. ft.	20 lbs.
HMA	70HPS	81 X 9	5H X 2V	8,640	1.5 sq. ft.	20 lbs.
▲ HFM	100HPS	66 X 11	5H X 5V	12,744	1.5 sq. ft.	20 lbs.
HFMP	100HPS	75 X 29	6H X 5V	4,956	1.5 sq. ft.	20 lbs.
HFV	100HPS	77 X 54	6H X 6V	2,856	1.5 sq. ft.	20 lbs.
HNA	100HPS	62 X 6	5H X 1V	27,789	1.5 sq. ft.	20 lbs.
HMA	100HPS	81 X 9	5H X 2V	12,744	1.5 sq. ft.	20 lbs.
HFM	150HPS	66 X 11	5H X 5V	15,200	1.5 sq. ft.	20 lbs.
HFMP	150HPS	75 X 29	6H X 5V	8,316	1.5 sq. ft.	20 lbs.
HFV	150HPS	75 X 29	6H X 5V	8,400	1.5 sq. ft.	20 lbs.
HMA	150HPS	81 X 9	5H X 2V	21,600	1.5 sq. ft.	20 lbs.
HNA	150HPS	62 X 6	5H X 1V	47,100	1.5 sq. ft.	20 lbs.

▲ = Represented by isoline on previous page