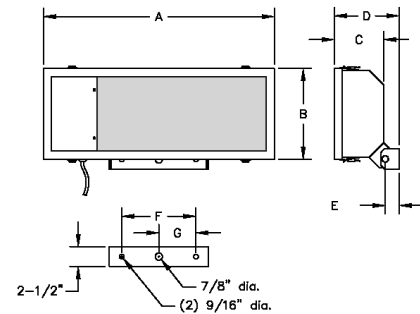




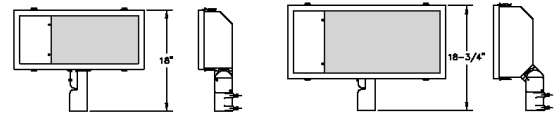
# Series 4000

## 18-180 Watt Low Pressure Sodium

The Series 4000 combines the efficiency and long life of low pressure sodium with several roadway optical packages to choose from. The monochromatic light source is ideal for nature-safe installations, meeting dark sky ordinances and lighting areas utilizing surveillance cameras. Popular applications include loading docks, seashore installations, observatories, and perimeters of secure locations.



	A	B	C	D	E	F	G
18 LPS	13-1/4"	10-1/2"	5-3/4"	7-1/2"	1-1/2"	9"	4-1/2"
35 LPS	23"	10-1/2"	5-3/4"	7-1/2"	1-1/2"	9"	4-1/2"
55 LPS	23"	10-1/2"	5-3/4"	7-1/2"	1-1/2"	9"	4-1/2"
90 LPS	28-1/2"	13"	6-3/4"	9-3/8"	1-1/2"	9"	4-1/2"
135 LPS	38"	13"	6-3/4"	9-3/8"	3"	3-3/4"	1-7/8"
180 LPS	51-1/2"	13"	6-3/4"	9-3/8"	3"	3-3/4"	1-7/8"



18, 35 & 55 LPS with KSF mounting      90, 135 & 180 LPS with KSF mounting

### Construction Features

**Housing:** Constructed of heavy gauge, die-formed, 5052 aluminum, with less than 1% copper content. Seams are continuously welded and unitized.

**Lens/Door Assembly:** Constructed of heavy gauge, die-formed, 5052 aluminum, with less than 1% copper content. Mitered and welded frame secures the clear polycarbonate lens, sealed to the housing with medium density, closed cell pure neoprene gasket. Door frame attached and secured by stainless steel cam fasteners, which operate without the use of tools, for ease of relamping.

**Reflector:** Electropolished and anodized high purity aluminum, coilzak or equivalent. Stainless steel lamp support maintains precise alignment of the lamp to the reflector.

**Ballast:** Constant Wattage Autotransformer (CWA) Core & Coil ballast. Available in 120, 208, 240, 277 or 480 volt, and Dual-Tap (120/240 or 208/277). Fixtures with yoke mounting supplied prewired to three feet of 16/3 STW cord. Cord is

secured to enclosure with a watertight strain relief. Fixtures with knuckle slipfitter mounting supplied prewired to power leads inside fitter's wiring compartment.

**Mounting:** Heavy gauge, die-formed hot rolled steel yoke. Available with optional Almag cast aluminum alloy slipfitter (SF) or knuckle slipfitter (KSF), for standard 2 inch pole tenon mounting (2 3/8" OD) by others.

**Hardware:** All external hardware is stainless steel, aluminum or hot dip galvanized.

**Finish:** Polyester powder coated finish, fired at high temperatures to produce a durable weatherproof coating. Standard colors include black, bronze and silver. Custom color matching is also available. Please consult the factory for availability.

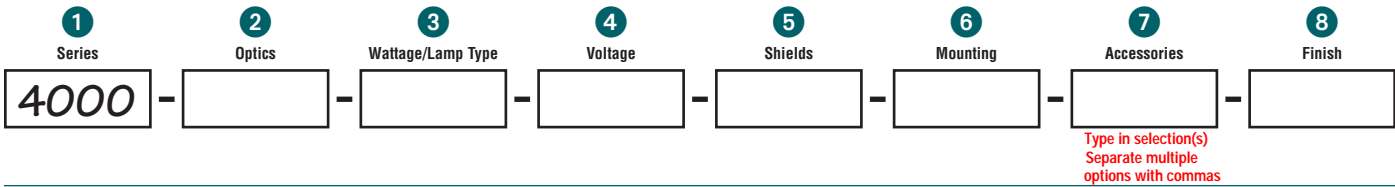
**UL Listed:** Suitable for wet locations. UL1598

# Series 4000

## 18-180 Watt Low Pressure Sodium

### HOW TO ORDER

EXAMPLE 4000-3-2@90LPS-480V-LXS-YSF-FS,PRF2-SLV



#### 1 Series

**4000** Integral Ballast (standard)  
For Remote Ballast, contact factory

#### 2 Optics

Refer to SPECIFICATIONS on next page  
1 Roadway Type I  
3 Roadway Type III  
5 Roadway Type V

#### 3 Wattage/Lamp Type

All lamps are clear mogul base, by others.  
Low Pressure Sodium  
18LPS (SOX18/T-17)  
35LPS (SOX35/T-17)  
55LPS (SOX55/T-17)  
90LPS (SOX90/T-21)  
2@90LPS Two (SOX90/T-21)  
135LPS (SOX135/T-21)  
180LPS (SOX180/T-21)

#### 4 Voltage

120V  
208V  
240V  
277V  
480V  
MT(120-277V) Multi-Tap

#### 5 Shields\*

00 No shield required  
3S 3-Sided Shield  
4S 4-Sided Shield  
LXS Lexan Shield  
TS Top Shield  
\*Standard finish black

#### 6 Mounting

Yoke Mount  
YM Yoke Mount Only  
YHS YM with Horizontal Sector  
YMS YM with Mounting Stud  
YSF YM with Slipfitter  
YSMP YM with Slipfitter and Mounting Plate  
YSWA YM with Wall Pole Mounting Arm  
YWB YM with Wall Bracket  
  
Knuckle Slipfitter  
KSF Knuckle Slipfitter Only  
KMP KSF with Mounting Plate  
KWA KSF with Wall Pole Mounting Arm  
  
Other  
DA Davit Arm  
EY End-mount Yoke

#### 7 Accessories

Separate codes for accessories with a comma  
00 No Accessories Required  
CH Door Safety Chain  
FD Double Fusing  
FS Single Fusing  
CD Extra Cord (specify total length \_\_\_\_\_ft)  
PRF2 480V Photocell installed on fixture

#### 8 Finish

BLK Black  
BZE Bronze  
SLV Silver  
For Custom Color, contact factory

#### Notes

PROJECT	APPROVAL/ DATE
	FIXTURE TYPE

# Series 4000

## 18-180 Watt Low Pressure Sodium

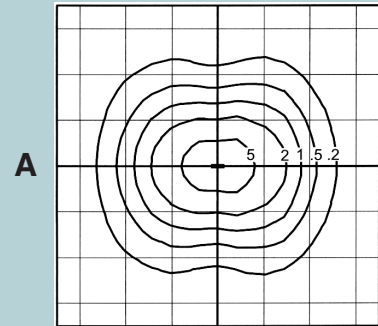
### SPECIFICATIONS See [abslighting.com](http://abslighting.com) for photometric files

Optics	Wattage/ Lamp Type	Max. Candlepower	EPA	Weight
<b>Low Pressure Sodium</b>				
1	18LPS	1,007	1.2 sq. ft.	12 lbs.
1	35LPS	2,627	2.0 sq. ft.	19 lbs.
1	55LPS	4,378	2.0 sq. ft.	19 lbs.
▲ 3	90LPS	2,735	3.1 sq. ft.	25 lbs.
5	90LPS	6,754	3.1 sq. ft.	25 lbs.
▲ 5	2@90LPS	4,250	5.5 sq. ft.	47 lbs.
▲ 3	135LPS	4,558	4.1 sq. ft.	42 lbs.
5	180LPS	18,385	5.5 sq. ft.	47 lbs.

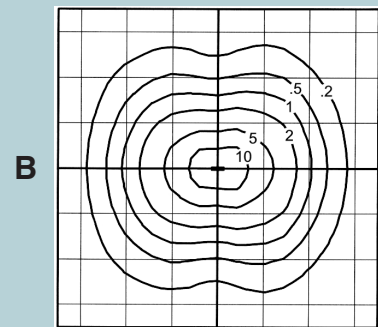
▲ = Represented by isoline at right

### FOOTCANDLE (fc1) ISOLINES

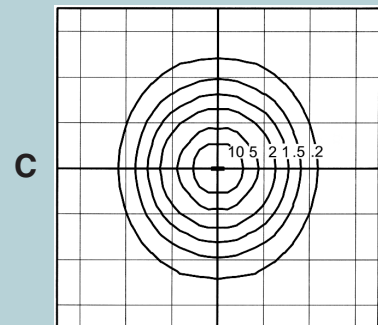
1.0 Ilf, 0° tilt, grid increment = mtg. ht.



4000-3-90LPS



4000-3-135LPS



4000-5-2@90LPS

### CONVERSION FACTORS (CF)

$$fc2 = fc1 \times CF$$

fc2 is footcandle for applicable wattage and mounting height

For isoline **A**

	FIXTURE MTG. HT. (in feet)			
	12	15	17	20
<b>90LPS</b>	1.56	1.00	0.78	0.56

For isoline **B**

	FIXTURE MTG. HT. (in feet)			
	12	15	17	20
<b>2@ 90LPS</b>	1.56	1.00	0.78	0.56

For isoline **C**

	FIXTURE MTG. HT. (in feet)			
	12	15	17	20
<b>135LPS</b>	1.56	1.00	0.78	0.56