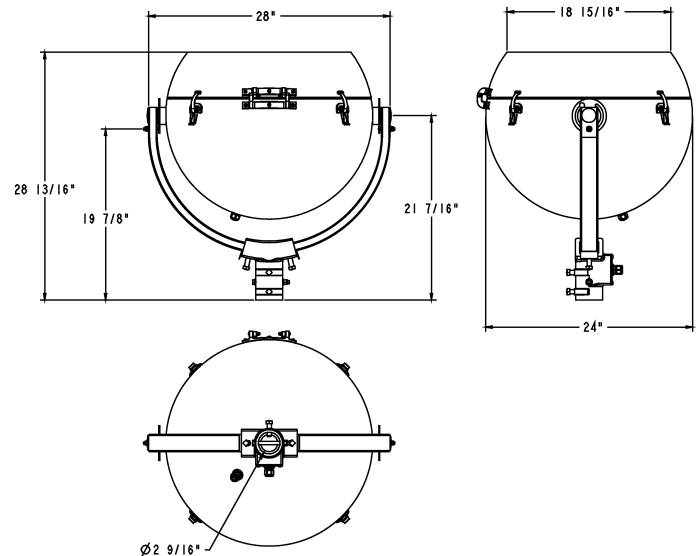




Series 3700

250-450 Watt Pulse Start Metal Halide

With a variety of optical packages to choose from, the Series 3700 provides optimal performance for any architectural application. Its spherical shape presents a consistent aesthetic appearance regardless of the tilt and orientation of the unit, whether it's a single unit or a bank of fixtures. The Series 3700 is ideal for lighting monuments, bridges, flag poles, building facades and outdoor pool areas.



Construction Features

Housing: One piece 24" diameter spherical housing constructed of high purity 12 gauge aluminum.

Lens/Door Assembly: Lens and door frame assembly constructed of high purity 12 gauge aluminum with tempered thermal and shock resistant glass sealed to housing with high temperature silicone. Door frame is sealed to housing with a single piece high temperature silicone ring gasket with no compression set feature. Door frame attached and secured with high tensile strength cast aluminum hinge and four cam fasteners which operate without the use of tools for easy relamping.

Reflector: Rigid 4 point location frame to secure horizontal, vertical or axial spot 17" diameter reflector systems. Reflectors to be made of high grade electro-polished and anodized Alzak aluminum. The standard lamp holder shall be firmly mounted with heavy gauge socket bracket to insure proper focal point to reflector system. The standard lamp holder shall be mogul base, 4kv rated socket with stainless steel lamp shell and grips. Optical assembly features polarized connector for connection to ballast power pack assembly.

Electrical Power Tray: Integral mounted and pre-wired CWA core and coil ballast tray assembly. Available in 120,

208, 240, 277 or 480 volt 60 Hz, and Multi-Tap up to 480 volt. Supplied pre-wired with polarized line and socket ends for ease of field replacement of the ballast assembly. Unit supplied with four feet of 16/3 STW cord. Cord is secured to enclosure with a watertight strain relief. Note: All multi-tap ballasts wired to highest rated voltage.

Mounting: Heavy gauge die formed gimbal yoke with Almag 35 cast aluminum alloy slipfitter with internal wiring compartment and watertight cover. Fitter to have two point and through bolt mount, all high grade stainless steel, for standard 2 inch pole tenon mounting (2 5/8" OD) by others. Gimbal assembly feature allows for unit aiming and tilt to 340 degrees with locking bolts each side

Hardware: All external hardware is stainless steel, aluminum or hot dip galvanized.

Finish: Polyester powder coated finish, fired at high temperatures to produce a durable weatherproof coating. Standard colors include black, bronze and silver. Custom colors (RAL) and matching is also available. Please consult the factory for availability.

UL Listed: Suitable for wet locations. UL1598

Series 3700

250-450 Watt Pulse Start Metal Halide

HOW TO ORDER

EXAMPLE 3700-HN-400PS-480V-00-YM-00-BZE

1 Series	2 Lamp Position/Optics	3 Wattage/Lamp Type	4 Voltage	5 Shields	6 Mounting	7 Accessories	8 Finish
3700							

Type in selection(s)
Separate multiple options with commas

1 Series

3700 Integral Ballast

2 Lamp Position/Optics

Refer to SPECIFICATIONS on next page

- XN** Axial/Narrow*
- HN** Horizontal/Narrow
- HMR** Horizontal/Medium with end reflector
- HM** Horizontal/Medium
- HWR** Horizontal/Wide with end reflector
- VM** Vertical/Medium
- VN** Vertical/Narrow

*Only 250PS2, 400PS2 and 400PS3

3 Wattage/Lamp Type

All lamps are clear mogul base, by others. Several lamp manufacturers may also offer compatible lamps.

- Pulse Start Metal Halide
- 250PS** (MS250W/V/PS/ED28)*- Venture
 - 250PS1** (MS250W/H75/PS/ED28)**- Venture
 - 250PS2** (M250/PS/U) - Sylvania
 - 320PS** (MS320/PS/BU-HOR/BT28)**- Sylvania
 - 400PS** (MS400/V/PS/ED28)*- Sylvania
 - 400PS1** (MS400W/H75/PS)**- Venture
 - 400PS2** (M400/PS/U/BT28) - Sylvania
 - 400PS3** (M400/PS/U/BT37) - Sylvania
 - 450PS** (MS450W/V/PS/ED28)*- Venture

*Only for vertical lamp position (VM, VN)

**Only for horizontal lamp position (HN, HMR, HM, HWR)

4 Voltage

- 120V
- 208V
- 240V
- 277V
- 480V
- MT(120-277V) Multi-Tap

5 Shields*

- 00** No shield required
- 3S** 3-Sided Shield
- 4S** 4-Sided Shield
- CR** Concentric Ring (internal)
- LXS** Lexan Shield
- TS** Top Shield

*Standard finish black

6 Mounting

- YSF** Yoke Mount with Slipfitter
- YSMP** YM with Slipfitter and Mounting Plate
- YSWA** YM with Wall Pole Mounting Arm

7 Accessories

Separate codes for accessories with a comma

- 00** No Accessories Required
- FD** Double Fusing
- FS** Single Fusing
- CD** Extra Cord (specify total length _____ft)
- PRB1** 120-277V Photocell installed on ballast box
- PRB2** 480V Photocell installed on ballast box

8 Finish

- BLK** Black
 - BZE** Bronze
 - SLV** Silver
- For Custom Color, contact factory

Notes

PROJECT	APPROVAL/ DATE
	FIXTURE TYPE

Series 3700

250-450 Watt Pulse Start Metal Halide

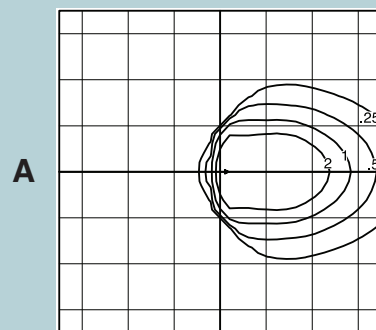
SPECIFICATIONS See abslighting.com for photometric files

Lamp Position/ Optics	Wattage/ Lamp Type	IES Beam Spread @50%	NEMA	Max. Candlepower	EPA	Weight
Pulse Start Metal Halide						
VN	250PS	12 X 15	3H X 3V	123,970	2.51 sq.ft.	50 lbs.
VM	250PS	19 X 28	5H X 5V	66,667	2.51 sq.ft.	50 lbs.
HM	250PS1	28 X 19	5H X 5V	36,374	2.51 sq.ft.	50 lbs.
HWR	250PS1	71 X 19	6H X 6V	20,655	2.51 sq.ft.	50 lbs.
XN	250PS2	5 X 5	1H X 1V	370,227	2.51 sq.ft.	50 lbs.
HM	250PS2	28 X 19	5H X 5V	31,414	2.51 sq.ft.	50 lbs.
HWR	250PS2	71 X 19	6H X 6V	20,655	2.51 sq.ft.	50 lbs.
VN	250PS2	12 X 15	3H X 3V	109,094	2.51 sq.ft.	50 lbs.
VM	250PS2	19 X 28	5H X 5V	5,867	2.51 sq.ft.	50 lbs.
VN	320PS	13 X 15	3H X 3V	157,830	2.51 sq.ft.	51 lbs.
VM	320PS	19 X 28	5H X 5V	52,733	2.51 sq.ft.	51 lbs.
VN	350PS	13 X 15	3H X 3V	164,242	2.51 sq.ft.	51 lbs.
VM	350PS	19 X 28	5H X 5V	54,875	2.51 sq.ft.	51 lbs.
AX	400PS3	5 X 5	1H X 1V	602,435	2.51 sq.ft.	53 lbs.
HN	400PS3	15 X 13	3H X 3V	152,332	2.51 sq.ft.	53 lbs.
HMR	400PS3	70 X 8	5H X 3V	48,309	2.51 sq.ft.	53 lbs.
▲ HM	400PS3	28 X 19	5H X 5V	51,116	2.51 sq.ft.	53 lbs.
▲ HWR	400PS3	71 X 19	6H X 6V	29,026	2.51 sq.ft.	53 lbs.
VN	400PS3	13 X 15	3H X 3V	178,716	2.51 sq.ft.	53 lbs.
VM	400PS3	19 X 28	5H X 5V	59,360	2.51 sq.ft.	53 lbs.
VN	450PS	13 X 15	3H X 3V	24,816	2.51 sq.ft.	53 lbs.
VM	450PS	19 X 28	5H X 5V	82,445	2.51 sq.ft.	53 lbs.

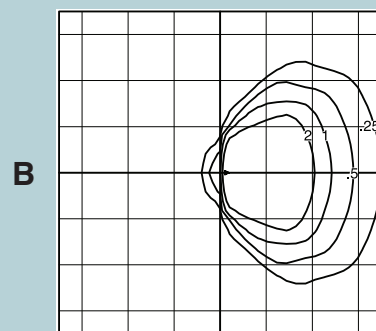
▲ = Represented by isoline at right

FOOTCANDLE (fc1) ISOLINES

1.0 Iff, 56° tilt, grid increment = mtg. ht.



3700-HM-400PS3



3700-HWR-400PS3

CONVERSION FACTORS (CF)

$$fc2 = fc1 \times CF$$

fc2 is footcandle for applicable wattage and mounting height

For isolines **A** and **B**

	FIXTURE MTG. HT. (in feet)		
	25	30	40
400PS3	1.44	1.00	0.56
450PS	2.00	1.39	0.78