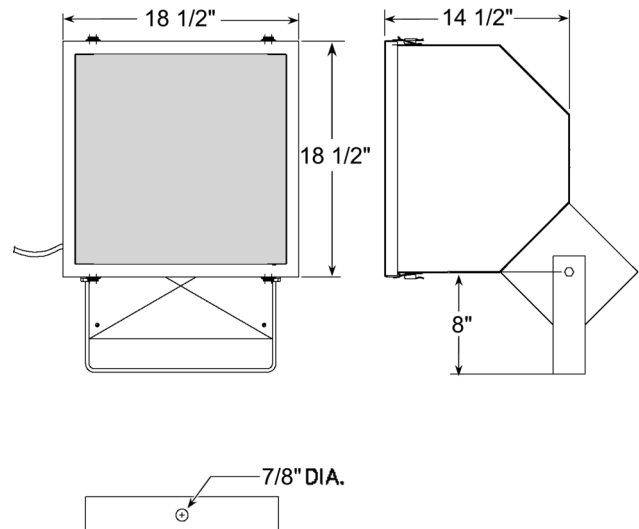




Series 3100

250-350 Watt Pulse Start Metal Halide
1000 Watt Metal Halide
210-315 Watt MasterColor

The Series 3100 features a spun reflector for maximizing light levels or projecting over long distances. A variety of optical patterns provide precision control of the Pulse Start or Metal Halide light source. The 3100 is ideal for anywhere an architectural element needs to be noticed.



Construction Features

Housing: Constructed of heavy gauge, die-formed, 5052 aluminum, with less than 1% copper content. Seams are continuously welded and unitized.

Lens/Door Assembly: Constructed of heavy gauge, die-formed, 5052 aluminum, with less than 1% copper content. Mitered and welded frame secures the tempered thermal and shock resistant Borosilicate glass sealed to the housing with high temperature, medium density, closed cell silicone gasket. Door frame attached and secured by stainless steel cam fasteners, which operate without the use of tools, for ease of relamping.

Reflector: Horizontal or vertical spot reflector system of electropolished and anodized high purity aluminum, coilzak or equivalent.

Electrical Power Tray: Constructed of heavy gauge, die-formed, 5052 aluminum, with less than 1% copper content. Ballast secured to the removable power tray for ease of service.

Ballast: Constant Wattage Autotransformer (CWA) Core & Coil ballast. Available in 120, 208, 240, 277 or 480 volt, and Multi-Tap (120/208/240/277). Supplied prewired to three feet of 16/3 STW cord. Cord is secured to enclosure with a watertight strain relief. Note: All multi-tap ballasts wired to 277V.

Mounting: Heavy gauge, die-formed hot rolled steel yoke. Available with optional Almag cast aluminum alloy slipfitter (SF), for standard 2 inch pole tenon mounting (2 $\frac{3}{8}$ " OD) by others.

Hardware: All external hardware is stainless steel, aluminum or hot dip galvanized.

Finish: Polyester powder coated finish, fired at high temperatures to produce a durable weatherproof coating. Standard colors include black, bronze and silver. Custom color matching is also available. Please consult the factory for availability.

UL Listed: Suitable for wet locations. UL1598

Series 3100

250-350 Watt Pulse Start Metal Halide / 1000 Watt Metal Halide / 210-315 Watt MasterColor

HOW TO ORDER

EXAMPLE 3100-VM-400PS-480V-TS-YSF-CH,FD-BZE

1 Series	2 Lamp Position/Optics	3 Wattage/Lamp Type	4 Voltage	5 Shields	6 Mounting	7 Accessories	8 Finish
3100	-	-	-	-	-	-	-

Type in selection(s)
Separate multiple options with commas

1 Series

3100 Bottom-Mount Ballast (standard)
For Remote Ballast, contact factory

2 Lamp Position/Optics

Refer to *SPECIFICATIONS* on next page
XN Axial/Narrow*
HN Horizontal/Narrow
HMR Horizontal/Medium with end reflector
HM Horizontal/Medium
HWR Horizontal/Wide with end reflector
VM Vertical/Medium
VN Vertical/Narrow
**Only 1000MH, 400PS1, 400PS3 and 250PS2*

3 Wattage/Lamp Type

All lamps are clear mogul base, by others. Several lamp manufacturers may also offer compatible lamps.
 Pulseuse Start Metal Halide
250PS (MS250V/PS/ED28)* – Venture
250PS1 (MS250W/H75/PS/740)** – Venture
250PS2 (M250/PS/U) – Sylvania
320PS (MS320/PS/BU-HOR/BT28)** – Sylvania
400PS (MS400W/V/PS/BT37)* – Venture
400PS1 (MS400W/H75/PS/BT37)** – Venture
400PS2 (M400/PS/U/BT28) – Sylvania
400PS3 (M400/PS/U/BT37) – Sylvania
 Metal Halide
1000MH (MH1000/U/BT37) – Sylvania
 MasterColor
210MC (210/T9/930/U/E) – Philips
250MC (MC250T9/U/G22/830PB) – Sylvania
315MC1 (315/T9/930/U/E) – Philips

4 Voltage

120V
208V
240V
277V
480V
MT(120-277V) Multi-Tap

**Only for vertical lamp position (VM, VN)
 **Only for horizontal lamp position (HN, HMR, HM, HWR)*

5 Shields*

00 No shield required
3S 3-Sided Shield
4S 4-Sided Shield
CR Concentric Ring (internal)
LXS Lexan Shield
TS Top Shield
**Standard finish black*

6 Mounting

YM Yoke Mount Only
YHS YM with Horizontal Sector
YMS YM with Mounting Stud
YSF YM with Slipfitter
YSMP YM with Slipfitter and Mounting Plate
YSWA YM with Wall Pole Mounting Arm
YWB YM with Wall Bracket

7 Accessories

Separate codes for accessories with a comma
00 No Accessories Required
CH Door Safety Chain
FD Double Fusing
FS Single Fusing
CD Extra Cord (specify total length _____ ft)
PRB1 120-277V Photocell installed on ballast box
PRB2 480V Photocell installed on ballast box

8 Finish

BLK Black
BZE Bronze
SLV Silver
 For Custom Color, contact factory

Notes

PROJECT	APPROVAL/ DATE
	FIXTURE TYPE

Series 3100

250-350 Watt Pulse Start Metal Halide / 1000 Watt Metal Halide / 210-315 Watt MasterColor

SPECIFICATIONS

See abslighting.com for photometric files

Lamp Position/ Optics	Wattage/ Lamp Type	IES Beam Spread @50%	NEMA	Max. Candlepower	EPA	Weight
Pulse Start Metal Halide						
VN	250PS1	3 X 15	3H X 3V	124,889	2.89 sq.ft.	45 lbs.
VM	250PS1	9 X 28	5H X 5V	68,293	2.89 sq.ft.	45 lbs.
HM	250PS1	28 X 15	5H X 5V	37,261	2.89 sq.ft.	45 lbs.
HWR	250PS1	71 X 19	6H X 6V	21,159	2.89 sq.ft.	45 lbs.
VN	250PS2	13 X 15	3H X 3V	109,902	2.89 sq.ft.	45 lbs.
VM	250PS2	19 X 28	5H X 5V	60,098	2.89 sq.ft.	45 lbs.
XN	250PS2	5 X 5	1H X 1V	379,256	2.89 sq.ft.	45 lbs.
HM	250PS2	28 X 19	5H X 5V	32,180	2.89 sq.ft.	45 lbs.
HWR	250PS2	71 X 19	6H X 6V	18,274	2.89 sq.ft.	45 lbs.
VN	320PS	13 X 15	3H X 3V	148,368	2.89 sq.ft.	46 lbs.
VM	320PS	19 X 28	5H X 5V	49,862	2.89 sq.ft.	46 lbs.
VN	400PS	13 X 15	3H X 3V	218,429	2.89 sq.ft.	48 lbs.
VM	400PS	19 X 28	5H X 5V	72,551	2.89 sq.ft.	48 lbs.
XN	400PS1	12 X 12	2H X 2V	262,093	2.89 sq.ft.	48 lbs.
HN	400PS1	15 X 13	3H X 3V	196,556	2.89 sq.ft.	48 lbs.
HMR	400PS1	71 X 19	5H X 3V	47,909	2.89 sq.ft.	48 lbs.
▲ HM	400PS1	28 X 19	5H X 5V	65,956	2.89 sq.ft.	48 lbs.
▲ HWR	400PS1	71 X 19	6H X 6V	37,453	2.89 sq.ft.	48 lbs.
VN	400PS2	13 X 15	3H X 3V	179,841	2.89 sq.ft.	48 lbs.
VM	400PS2	19 X 28	5H X 5V	98,341	2.89 sq.ft.	48 lbs.
XN	400PS3	5 X 5	1H X 1V	51,116	2.89 sq.ft.	48 lbs.
HN	400PS3	15 X 13	3H X 3V	152,332	2.89 sq.ft.	48 lbs.
HMR	400PS3	70 X 8	5H X 3V	47,909	2.89 sq.ft.	48 lbs.
HM	400PS3	28 X 19	5H X 5V	65,956	2.89 sq.ft.	48 lbs.
HWR	400PS3	71 X 19	6H X 6V	29,026	2.89 sq.ft.	48 lbs.
VN	400PS3	13 X 15	3H X 3V	178,716	2.89 sq.ft.	48 lbs.
VM	400PS3	19 X 28	5H X 5V	59,360	2.89 sq.ft.	48 lbs.
▲ XN	1000PS	12 X 12	2H X 2V	930,000	2.89 sq.ft.	56 lbs.
HN	1000PS	15 X 13	3H X 3V	525,337	2.89 sq.ft.	56 lbs.
HMR	1000PS	70 X 8	5H X 3V	170,000	2.89 sq.ft.	56 lbs.
HWR	1000PS	71 X 19	6H X 6 V	101,760	2.89 sq.ft.	57 lbs.
HM	1000PS	28 X 18	4H X 2V	308,570	2.89 sq.ft.	56 lbs.
VN	1000PS	13 X 15	3H X 3V	546,264	2.89 sq.ft.	56 lbs.
VM	1000PS	18 X 29	2H X 4V	297,618	2.89 sq.ft.	56 lbs.

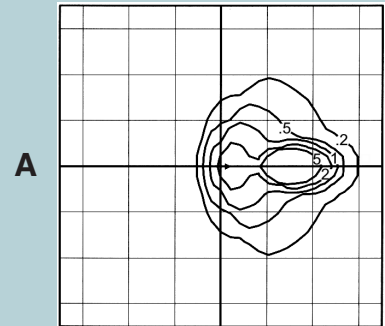
Metal Halide

XN	1000MH	12 X 12	2H X 2V	930,000	2.89 sq. ft.	56 lbs.
HN	1000MH	15 X 13	3H X 3V	536,058	2.89 sq. ft.	56 lbs.
HMR	1000MH	70 X 8	5H X 3V	170,000	2.89 sq. ft.	56 lbs.
HM	1000MH	28 X 18	4H X 2V	308,570	2.89 sq. ft.	56 lbs.
VN	1000MH	13 X 15	3H X 3V	546,264	2.89 sq. ft.	56 lbs.
VM	1000MH	18 X 28	2H X 4V	297,618	2.89 sq. ft.	56 lbs.

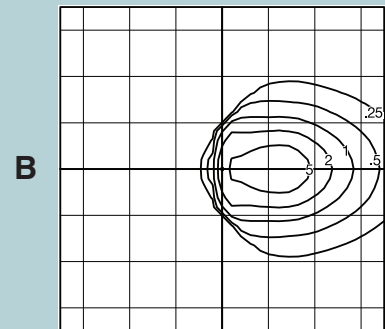
▲ = Represented by isoline at right

FOOTCANDLE (fc1) ISOLINES

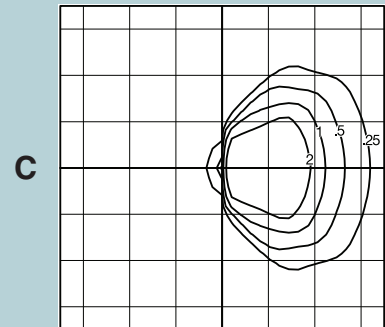
1.0 If, 56° tilt, grid increment = mtg. ht.



3100-XN-1000MH



3100-HM-400PS1



3100-HWR-400PS1

CONVERSION FACTORS (CF)

$$fc2 = fc1 \times CF$$

fc2 is footcandle for applicable wattage and mounting height

For isolines **A**

	FIXTURE MTG. HT. (in feet)			
	25	30	40	50
400PS3	0.44	0.30	0.17	0.11
1000PS	1.57	1.09	0.61	0.32
1000MH	1.44	1.00	0.56	0.36

For isolines **B and C**

	FIXTURE MTG. HT. (in feet)		
	25	30	40
250PS	0.90	0.63	0.35
250PS1	0.79	0.55	0.31
250PS2	0.68	0.48	0.27
320PS	1.08	0.75	0.42
400PS	1.58	1.10	0.62
400PS1	1.44	1.00	0.56
400PS2	1.12	0.78	0.44