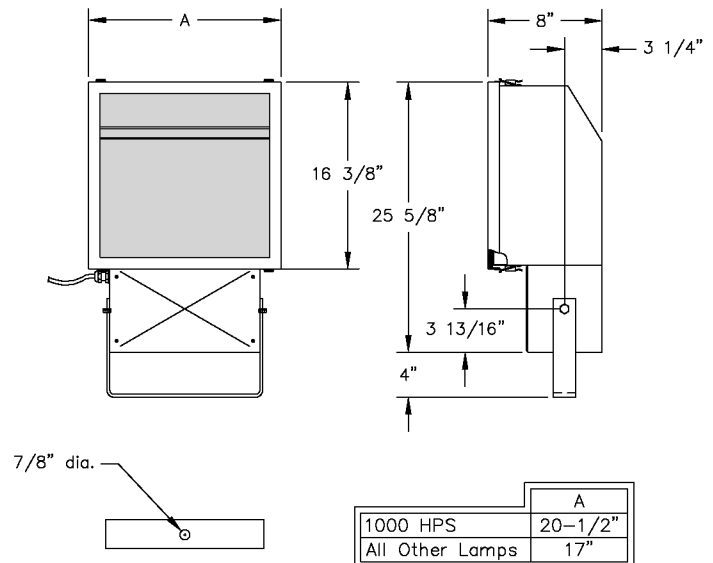




Series 3000

250-1000 Watt Pulse Start Metal Halide
 1000 Watt Metal Halide
 250-1000 Watt High Pressure Sodium

The Series 3000 combines an asymmetrical beam pattern with an optional internal louver system that provides precise vertical cut-off. This FAA approved fixture is ideal for airport aprons, parking lots, signage and other applications where light pollution is a concern.



Construction Features

Housing: Constructed of heavy gauge, die-formed, 5052 aluminum, with less than 1% copper content. Seams are continuously welded and unitized.

Lens/Door Assembly: Constructed of heavy gauge, die-formed, 5052 aluminum, with less than 1% copper content. Mitered and welded frame secures the tempered thermal and shock resistant Borosilicate glass, sealed to the housing with high temperature, medium density, closed cell silicone gasket. Door frame attached and secured by stainless steel cam fasteners, which operate without the use of tools, for ease of relamping.

Reflector: Asymmetrical reflector system of electropolished and anodized high purity aluminum, coilzak or equivalent. Spring loading of the reflector assures precise beam control with allowance for expansion and contraction cycles. Standard internal louver provides shielding of the lamp's arc tube.

Electrical Power Tray: Constructed of heavy gauge, die-formed, 5052 aluminum, with less than 1% copper content. Ballast secured to the removable power tray for ease of service.

Ballast: Constant Wattage Autotransformer (CWA) Core & Coil ballast. Available in 120, 208, 240, 277 or 480 volt, and Multi-Tap (120/208/240/277). Supplied prewired to three feet of 16/3 STW cord. Cord is secured to enclosure with a watertight strain relief. Note: All multi-tap ballasts wired to 277V.

Mounting: Heavy gauge, die-formed hot rolled steel yoke. Available with optional Almag cast aluminum alloy slipfitter (SF), for standard 2 inch pole tenon mounting (2 3/8" OD) by others.

Hardware: All external hardware is stainless steel, aluminum or hot dip galvanized.

Finish: Polyester powder coated finish, fired at high temperatures to produce a durable weatherproof coating. Standard colors include black, bronze and silver. Custom color matching is also available. Please consult the factory for availability.

U.L. Listed: Suitable for wet locations. UL1598

Series 3000

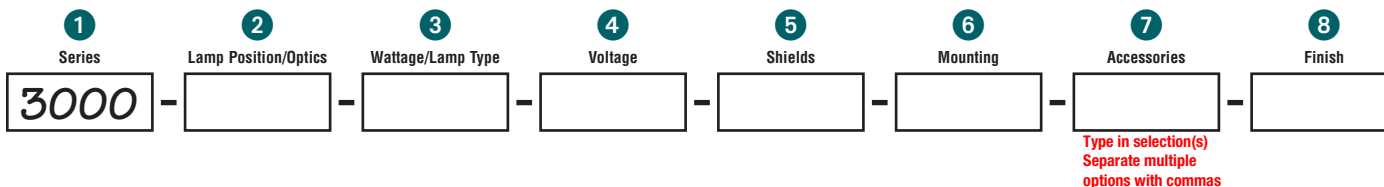
With Asymmetric Optics

250-1000 Watt Pulse Start Metal Halide / 1000 Watt Metal Halide

250-1000 Watt High Pressure Sodium

HOW TO ORDER

EXAMPLE 3000-HM-400PS-480V-ALOY5F-CH,FD-BZE



1 Series

3000 Bottom-Mount Ballast (standard)
For Remote or Back-Mount Ballast, contact factory

2 Lamp Position/Optics

Refer to *SPECIFICATIONS* on next page
HN Horizontal/Narrow
HM Horizontal/Medium

3 Wattage/Lamp Type

All lamps are clear mogul base, by others. Several lamp manufacturers may also offer compatible lamps.

Pulse Start Metal Halide
250PS (MS250W/H75/PS/ED28) – Venture
320PS (MS320W/H75/PS/ED28) – Venture
350PS (MS350W/H75/PS/ED28) – Venture
400PS (MS400W/H75/PS/ED28) – Venture
400PS1 (M400/PS/U/BT28) – Sylvania
400PS2 (M400/PS/U/BT37) – Sylvania
1000PS (MS1000W/U/PS/BT37) – Venture

Metal Halide
1000MH (MH1000/U/BT37) – Sylvania

High Pressure Sodium
250HPS (LU250)
400HPS (LU400)
1000HPS (LU1000)

4 Voltage

120V
208V
240V
277V
480V
MT(120-277V) Multi-Tap

5 Shields*

00 No shield required
3S 3-Sided Shield
4S 4-Sided Shield
AL Airport Louvers (internal)
LXS Lexan Shield
TS Top Shield

*Standard finish black

6 Mounting

Yoke Mount
YM Yoke Mount Only
YHS YM with Horizontal Sector
YMS YM with Mounting Stud
YSF YM with Slipfitter
YSMP YM with Slipfitter and Mounting Plate
YSWA YM with Wall Pole Mounting Arm
YWB YM with Wall Bracket

7 Accessories

Separate codes for accessories with a comma
00 No Accessories Required
CH Door Safety Chain
FD Double Fusing
FS Single Fusing
CD Extra Cord (specify total length ____ft)
PRB1 120-277V Photocell installed on ballast box
PRB2 480V Photocell installed on ballast box

8 Finish

BLK Black
BZE Bronze
SLV Silver
For Custom Color, contact factory

Notes

PROJECT	APPROVAL/ DATE
	FIXTURE TYPE

Series 3000

With Asymmetric Optics

250-1000 Watt Pulse Start Metal Halide / 1000 Watt Metal Halide

250-1000 Watt High Pressure Sodium

SPECIFICATIONS

See abslighting.com for photometric files

Lamp Position/ Optics	Wattage/ Lamp Type	IES Beam Spread @50%	NEMA	Max. Candlepower	EPA	Weight	Note
Pulse Start Metal Halide							
HN	250PS	76 X 7	7H X 4V	27,995	2.9 sq. ft.	48 lbs.	
HM	250PS	85 X 10	7H X 5V	20,592	2.9 sq. ft.	48 lbs.	
HN	320PS	76 X 7	7H X 4V	37,014	2.9 sq. ft.	51 lbs.	
HM	320PS	85 X 10	7H X 5V	27,761	2.9 sq. ft.	51 lbs.	
▲ HN	350PS	76 X 7	7H X 4V	39,418	2.9 sq. ft.	51 lbs.	
▲ HM	350PS	85 X 10	7H X 5V	30,389	2.9 sq. ft.	51 lbs.	
HN	400PS	76 X 7	7H X 4V	50,811	2.9 sq. ft.	51 lbs.	
HM	400PS	85 X 10	7H X 5V	38,961	2.9 sq. ft.	51 lbs.	
HN	400PS1	76 X 7	7H X 4V	39,379	2.9 sq. ft.	51 lbs.	
HM	400PS1	85 X 10	7H X 5V	30,195	2.9 sq. ft.	51 lbs.	
HN	400PS2	77 X 7	7H X 4V	39,208	2.9 sq. ft.	57 lbs.	
HM	400PS2	85 X 10	7H X 5V	29,676	2.9 sq. ft.	57 lbs.	1
HMAL	400PS2	86 X 9	7H X 5V	29,676	2.9 sq. ft.	58 lbs.	
HN	1000PS	77 X 7	7H X 4V	105,300	2.9 sq. ft.	57 lbs.	
HM	1000PS	85 X 9	7H X 5V	105,300	2.9 sq. ft.	57 lbs.	1
HMAL	1000PS	86 X 9	7H X 5V	105,300	2.9 sq. ft.	58 lbs.	

Metal Halide

HN	1000MH	76 X 7	7H X 4V	139,126	2.9 sq. ft.	57 lbs.	
▲ HM	1000MH	85 X 10	7H X 5V	105,300	2.9 sq. ft.	57 lbs.	1
HMAL	1000MH	85 X 9	7H X 5V	105,300	2.9 sq. ft.	58 lbs.	

High Pressure Sodium

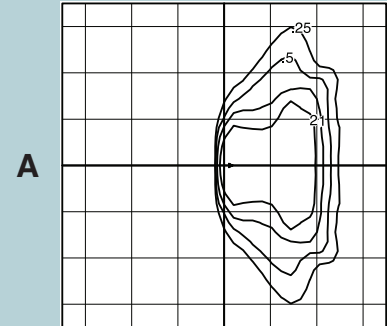
HN	250HPS	48 X 8	5H X 5V	38,640	2.9 sq. ft.	53 lbs.	
HN	400HPS	48 X 8	5H X 5V	64,400	2.9 sq. ft.	58 lbs.	
HM	400HPS	60 X 6	6H X 4V	69,392	2.9 sq. ft.	58 lbs.	2
HM	400HPS	69 X 8	6H X 4V	71,265	2.9 sq. ft.	58 lbs.	
HM	1000HPS	60 X 6	6H X 4V	192,758	3.3 sq. ft.	78 lbs.	2
HM	1000HPS	69 X 8	6H X 4V	197,960	3.3 sq. ft.	78 lbs.	

▲ = Represented by isoline at right

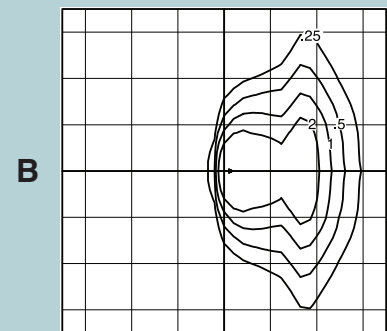
Notes: 1. Equipped with Airport Louvers (AL) – Must be specified under Shields on order page
2. Equipped with Top Shield (TS) – Must be specified under Shields on order page

FOOTCANDLE (fc1) ISOLINES

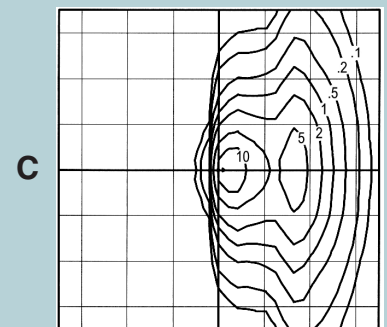
1.0 lfl, 56° tilt, grid increment = mtg. ht.



3000-HN-350PS



3000-HM-350PS



3000-HM-1000MH

CONVERSION FACTORS (CF)

$$fc2 = fc1 \times CF$$

fc2 is footcandle for applicable wattage and mounting height

For isolines A and B

	FIXTURE MTG. HT. (in feet)		
	25	30	40
250PS	0.95	0.66	0.37
320PS	1.28	0.89	0.50
350PS	1.44	1.00	0.56
400PS	1.73	1.20	0.68
400PS1	1.34	0.93	0.52

For isoline C

	25	30	40	50
	400PS2	0.43	0.30	0.17
1000PS	1.57	1.09	0.61	0.39
1000MH	1.44	1.00	0.56	0.36