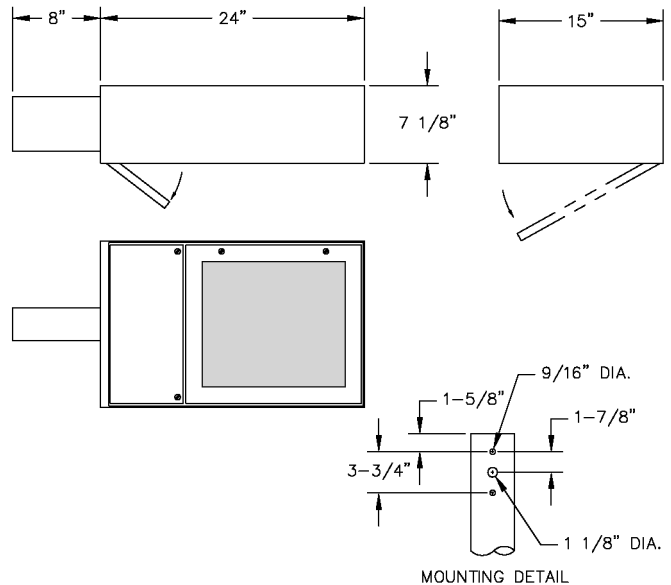
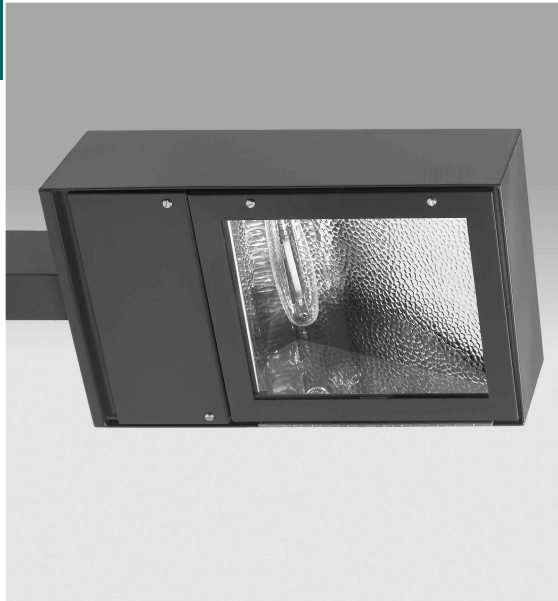




# Series 11000

150-400 Watt Pulse Start Metal Halide  
250 Watt MasterColor  
150-400 Watt High Pressure Sodium

*The Series 11000 is the shoebox you need to complete your project's lighting package. Once the optics of ABS Lighting's precision floods are specified, the 11000 is ideal for lighting your roadways, parking lots, courtyards and pedestrian areas.*



## Construction Features

**Housing:** Constructed of heavy gauge, die-formed, 5052 aluminum, with less than 1% copper content. Seams are continuously welded and unitized.

**Lens/Door Assembly:** Constructed of heavy gauge, die-formed, 5052 aluminum, with less than 1% copper content. Mitered and welded frame secures the tempered thermal and shock resistant Borosilicate glass, sealed to the housing with high temperature, medium density, closed cell silicone gasket. Door frame secured by stainless steel captive screws. Door assembly secured to housing with full length continuous hinge.

**Reflector:** Electropolished and anodized high purity aluminum, coilzak or equivalent.

**Ballast:** Constant Wattage Autotransformer (CWA) Core & Coil ballast. Available in 120, 208, 240, 277 or 480 volt, and Multi-Tap (120/208/240/277). Ballast secured to a removable hinged door for ease of service. Supplied pre-wired to power leads inside the fixture.

**Mounting:** Supplied with 8" arm, bolster plate for inside of fixture, threaded rod, pole support plate and necessary hardware for square pole mounting (Round pole mounting arm is available, please consult factory).

**Hardware:** All external hardware is stainless steel, aluminum or hot dip galvanized.

**Finish:** Polyester powder coated finish, fired at high temperatures to produce a durable weatherproof coating. Standard colors include black, bronze and silver. Custom color matching is also available. Please consult the factory for availability.

**UL Listed:** Suitable for wet locations. UL1598

# Series 11000

150-400 Watt Pulse Start Metal Halide / 250 Watt MasterColor  
150-400 Watt High Pressure Sodium

## HOW TO ORDER

EXAMPLE 11000-2-400PS-277V-HS-KSF-PRF1-BZE

1 Series	2 Optics	3 Wattage/Lamp Type	4 Voltage	5 Shields	6 Mounting	7 Accessories	8 Finish
11000	-	-	-	-	-	-	-

Type in selection(s) separate multiple options with commas

### 1 Series

**11000** Integral Ballast

### 2 Optics

Refer to SPECIFICATIONS on next page

- 2 Roadway Type II
- 3 Roadway Type III
- 4 Roadway Type IV
- 4W Roadway Type IV Wide
- 5 Roadway Type V

### 3 Wattage/Lamp Type

All lamps are clear mogul base, by others. Several lamp manufacturers may also offer compatible lamps.

- Pulse Start Metal Halide
- 150PS (MS150W/U/PS/ED17) – Venture
  - 250PS (MS250W/H75/PS/ED28) – Venture
  - 400PS (MS400W/H75/PS/ED28) – Venture
  - 400PS1 (M400/PS/U/BT28) – Sylvania
  - 400PS2 (M400/PS/U/BT37) – Sylvania

MasterColor

- 250MC1 (MC250T9/U/G22/830PB) – Sylvania

High Pressure Sodium

- 150HPS (LU150)
- 250HPS (LU250)
- 400HPS (LU400)

### 4 Voltage

- 120V
- 208V
- 240V
- 277V
- 480V
- MT(120-277V) Multi-Tap

### 5 Shields\*

- 00 No shield required
- 3S 3-Sided Shield
- 4S 4-Sided Shield
- HS House Side Shield
- LXS Lexan Shield

\*Standard finish black

### 6 Mounting

- KSF Knuckle Slipfitter Only
- RP 8" Arm for Round Pole (Specify OD \_\_\_\_ in.)
- SP 8" Arm for Square Pole
- WB Wall Pole Mounting Bracket

### 7 Accessories

Separate codes for accessories with a comma

- 00 No Accessories Required
- CH Door Safety Chain
- FD Double Fusing
- FS Single Fusing
- PC1 Photocell 120-277V
- PC2 Photocell 480V
- PR Photocell Receptacle
- PRB Photocell Receptacle installed on fixture

### 8 Finish

- BLK Black
  - BZE Bronze
  - SLV Silver
- For Custom Color, contact factory

## Notes

PROJECT	APPROVAL/ DATE
	FIXTURE TYPE

# Series 11000

150-400 Watt Pulse Start Metal Halide / 250 Watt MasterColor  
150-400 Watt High Pressure Sodium

## SPECIFICATIONS

See [abslighting.com](http://abslighting.com) for photometric files

Optics	Wattage/ Lamp Type	Max. Candlepower	EPA	Weight	Note
<b>Pulse Start Metal Halide</b>					
3	150 PS	5,056	1.5 sq. ft.	28 lbs.	1
3	250 PS	8,828	1.5 sq. ft.	32 lbs.	1
3	400 PS	16,051	1.5 sq. ft.	35 lbs.	1
3	400 PS1	12,497	1.5 sq. ft.	35 lbs.	1

## High Pressure Sodium

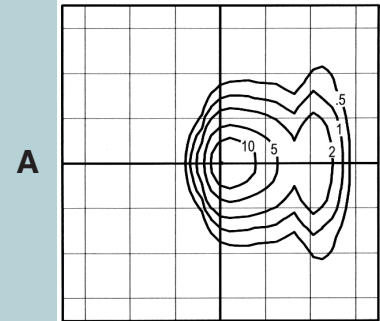
2	150HPS	18,186	1.5 sq. ft.	28 lbs.	2
3	150HPS	7,738	1.5 sq. ft.	28 lbs.	1
4	150HPS	21,763	1.5 sq. ft.	28 lbs.	2
4W	150HPS	11,343	1.5 sq. ft.	28 lbs.	1
5	150HPS	3,425	1.5 sq. ft.	28 lbs.	1
2	250HPS	22,373	1.5 sq. ft.	32 lbs.	3
3	250HPS	14,600	1.5 sq. ft.	32 lbs.	1
4	250HPS	40,807	1.5 sq. ft.	32 lbs.	2
4W	250HPS	21,268	1.5 sq. ft.	32 lbs.	1
5	250HPS	6,422	1.5 sq. ft.	32 lbs.	1
2	400HPS	61,467	1.5 sq. ft.	39 lbs.	2
▲ 3	400HPS	29,970	1.5 sq. ft.	39 lbs.	1
▲ 4	400HPS	73,452	1.5 sq. ft.	39 lbs.	2
4W	400HPS	38,283	1.5 sq. ft.	39 lbs.	1
▲ 5	400HPS	11,560	1.5 sq. ft.	39 lbs.	1

▲ = Represented by isoline at right

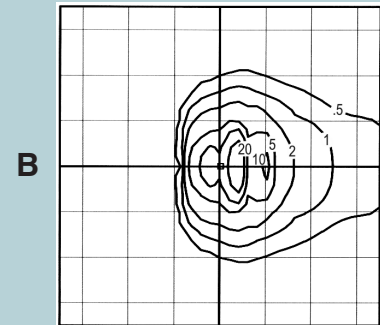
- Notes: 1. Full cut-off  
2. Semi cut-off  
3. Non cut-off

## FOOTCANDLE (fc1) ISOLINES

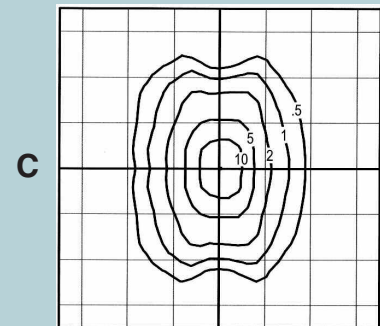
1.0 If, 0° tilt, grid increment = mtg. ht.



11000-3-400HPS



11000-4-400HPS



11000-5-400HPS

## CONVERSION FACTORS (CF)

$$fc2 = fc1 \times CF$$

fc2 is footcandle for applicable wattage and mounting height

For isolines **A, B** and **C**

	FIXTURE MTG. HT. (in feet)		
	15	20	25
<b>150HPS</b>	0.82	0.46	—
<b>250HPS</b>	1.54	0.87	0.55
<b>400HPS</b>	—	1.56	1.00